



**VERTIV™**

# **CONTROL ROOM INFRASTRUCTURE**

VERTIV™ KNÜRR® ACCESSORIES

Chairs, Lights/Lamps, System Accessories,  
Power Supply



**TABLE OF CONTENTS**

- Chairs **3**
- Workplace Lighting **13**
- Monitor Holder and Frames **23**
- Miscellaneous Accessories **34**
- Contract Furnishing **38**
- Power Distribution and Socket Strips **45**



I003



ACC20022



ACC20054



DOS00721



ELM00025



DAC20091



DAA20045



ACC20034

# CHAIRS

3 to 12



**CHAIRS**

• **Control Room Chairs 24/7**

24/7 Recaro	6
24/7 Mr. 24	7
24/7 Operator	8
24/7 CENTO Air	9
24/7 Secur 24 Basic	10

• **Professional**

se:do	11
-------	----

• **Meeting**

Visitor Chairs	12
----------------	----



ACC20064

**Dimensions in mm:** W = Width  
 H = Height  
 D = Depth  
 h = Installation height  
 d = Useful depth  
 L = Length

HU = Standard height unit, 1 HU = 44.45 mm  
 19" = 482.6 mm, (ideal for 19" components in acc. with DIN 41494)  
 UP = Unit of packaging  
 kg = Weight

**Conversion:** 1 inch = 25.4 mm  
 1 pound = 453.6 g

Replace „x“ with the number of your color choice

Description	RECARO Guard	RECARO Expert electric	Mr.24	Operator	CENTO Air	Secur 24 Basic
<b>Art.Nr.</b>	<b>00.350.072.9</b>	<b>00.350.036.9</b>	<b>00.350.073.9</b>	<b>00.350.031.9 + 00.350.035.9</b>	<b>00.350.070.9</b>	<b>00.350.078.9</b>
<b>Max. User Weight</b>	130kg	130kg	200kg	150 kg	130 kg	200 kg
<b>Sliding Seat</b>	Yes	Yes	Yes	Yes	Yes	Yes
<b>Seat Width</b>	550 cm	550 cm	470 cm	495 cm	480 cm	510cm
<b>Seat Mechanism</b>	Synchronous mechanism with spring force adjustment	Synchronous mechanism with spring force adjustment	Simiar mechanics	Simiar mechanics	Synchronous mechanism with spring force adjustment	Hardened steel block
<b>Headrest</b>	Height- / tilt adjustable	Height- / tilt adjustable	Height adjustable, genuine leather	Height adjustable, patent leather	Height- / tilt adjustable	Height- / tilt adjustable
<b>Backrest</b>	manually adjustable, with padding Double chamber lumbar support, height-adjustable adjustable backrest pressure	electrically adjustable inclination, with padding adjustable backrest pressure	manually adjustable, with padding Height adjustable lumbar support adjustable backrest pressure	manually adjustable, with padding or mesh covering Height adjustable lumbar support adjustable backrest pressure	manually adjustable, with padding Double chamber lumbar support, height-adjustable adjustable backrest pressure	manually adjustable, with padding Height adjustable lumbar support adjustable backrest pressure
<b>Armrest</b>	folding armrests adjustable	4-D adjustable	3-D Adjustable, with softtouch surface	3-D Adjustable, with softtouch surface	folding armrests adjustable	folding armrests adjustable
<b>Seat Cover</b>	synthetic leather / fabric 150,000 scrubbing cycles	synthetic leather / fabric 150,000 scrubbing cycles	Fabric (72% Cradura, 16% New Wool, 12% Cellulose) 150,000 scrubbing cycles	Fabric (72% Cradura, 16% New Wool, 12% Cellulose) 150,000 scrubbing cycles	synthetic leather / fabric 150,000 scrubbing cycles	synthetic leather / fabric 1.5 million scrubbing cycles
<b>Lumbar Support</b>	yes	no	yes (height- and depth adjustable)	yes (height adjustable)	yes	yes
<b>Seat Height Adjustment</b>	42-52 cm	42-52 cm	42-52 cm	42-52 cm	39-52 cm	41-53 cm
<b>Castors</b>	Soft, for hard floors	Soft, for hard floors	Soft, for hard floors	Soft, for hard floors	Soft, for hard floors	Soft, for hard floors
<b>Certificates</b>	GS, British Standard	GS	GS, British Standard, ANSI, AGR	GS, British Standard, ANSI, AGR	GS	GS, British Standard

24/7

**Control Room Chair – Swivel Chair 24/7 RECARO**

- For 24/7 use in Control and Surveillance Rooms, Emergency Centers and ATC/ATM
- Height adjustable and tiltable head rest
- Double chamber lumbar support
- Frame and padding made from heavy duty materials
- Tiltable flip-up arm rests
- Tested for maximum load
- Ambidextrous handle for backrest angle
- Ergonomic padding for maximum seating comfort
- Heavy duty Free Tilt mechanism, lockable in 3 positions
- Individually adjustable to user weight (ca. 60 - 130 kg / 130 – 285 lbs.)
- Extra strong gas spring for height adjustment
- Extra large castor base for best stability
- Adjustable thigh support
- Soft castors for hard surfaces
- GS certified
- British Standard

**Additionally with Recaro Expert electric:**

- Electrically adjustable backrest
- Base black powder-coated

• **Technical Data**

- Width and height of backrest 520 x 620 mm
- Width and depth of seat 550 x 560 mm
- Width and depth of arm rests 74 x 324 mm
- Height adjustment of headrest 0 – 80 mm
- Tilting of headrest 0 – 35°

• **Material**

- Seat and backrest: Synthetic leather

• **Color**

- Fabric / leather: Black
- Castor base: Polished aluminum

• **Supply schedule**

- 1 Control Room Swivel Chair 24/7 RECARO
- 1 Protective Cover for head rest

• **How supplied**

- Assembled

• **Please note:**

- Hard castors for carpet surfaces available



ACC20003



ACC20051

Model	Order no.	UP
Control Room Chair 24/7 RECARO Guard	00.350.072.1	1 unit
Control Room Chair 24/7 RECARO Expert electric	00.350.036.9	1 unit

**Dimensions in mm:** W = Width  
 H = Height  
 D = Depth  
 h = Installation height  
 d = Useful depth  
 L = Length

HU = Standard height unit, 1 HU = 44.45 mm  
 19" = 482.6 mm,  
 (ideal for 19" components in acc. with DIN 41494)  
 UP = Unit of packaging  
 kg = Weight

**Conversion:** 1 inch = 25,4 mm  
 1 pound = 453,6 g

Replace „x“ with the number of your color choice

24/7

## 24/7 Control Room Chair Mr. 24

- Our top selling Control Room Chair
  - Generous seat and backrest for maximum comfort
  - Long backrest with integrated adjustable lumbar support, Similarmechnic opens up to 32° and stepless adjustment of back leaning angle Adjustable sliding seat allows for adaption to individual leg length
  - Height adjustable black leather head rest
  - Seat and back rest tilt synchronously to body movement
  - Individual main spring adjustment for different user weights
  - Permanent dorsal support also when leaning all the way back
  - Sedo-Lift-Mechanic for best cushioning also in lowest seating position
  - Extra robust arm rest for 24/7 use
  - Soft castors for hard surfaces
  - GS approved
  - British Standard approved
  - Seating width and depth: 470 x 400 mm
  - Height adjustment of head rest: 50 mm
  - Neck rest width and height: 360 x 150 mm
  - Similarmechnic suitable for up to persons of up to 200 kg / 440lbs.
  - Max. back rest tilt: 32°
- Seat height adjustment: 420 – 515 mm
  - Arm rest height adjustment: 190 – 300 mm
  - Arm rest width adjustment: 2 x 50 mm
  - Arm rest depth adjustment: 80 mm
- **Material**
    - Set 2G8 black 72%Cradura™, 16% new wool, 12% Cellulose
    - 150.000 cycles (Martindale)
    - DIN EN 1021-1/2
  - **Color**
    - Fabric: black
    - Castor base: black
  - **Supply schedule**
    - 1 Control Room Chair
  - **How supplied**
    - Pre assembled
  - **Please note:**
    - Hard castors for carpet surfaces available
    - Many other configurations available on request



ACC20005

Model	Order no.	UP
Mr. 24h, black fabric, armrests, head rest	00.350.073.9	1 unit
Protective cover for head rest	00.350.074.9	1 unit

## 24/7 Control Room Chair Operator

- Proven Control Room Chair for dynamic seating
  - Suitable for users up to 150 kg / 325lbs.
  - Similarmechnic with heavy duty springs
  - Integrated sliding seat (seat depth adjustable 400 to 460 mm)
  - Comfortable, reinforced seat padding, Seating width max. 495 mm
  - Height adjustable lumbal support
  - Sedo-Lift-Mechanic (390 to 520 mm seat height),
  - Black aluminum cast castor base
  - Similarmechnic with adjustable springs
  - Back rest with padding or mesh covering
  - 3-D softtouch armrests
  - Height adjustable black leather head rest
  - Soft castors for hard surfaces
- **Material**
    - Set 2G8 black 72%Cradura™, 16% new wool, 12% Cellulose
    - 150.000 cycles (Martindale)
    - DIN EN 1021-1/2
  - **Color**
    - Fabric: black
    - Castor base: black
  - **Supply schedule**
    - 1 Control Room Chair
  - **How supplied**
    - Pre assembled
  - **Please note:**
    - Hard castors for carpet surfaces available
    - Many other configurations available on request



ACC20006

Model	Order no.	UP
Operator 24/7, mesh covering backrest, arm rests, head rest	00.350.031.9	1 unit
Operator 24/7, padding backrest, arm rests, head rest	00.350.035.9	1 unit



ACC20052

Provided for use with the kind permission of Sedus Stoll AG.  
Unauthorised use is prohibited.

**Dimensions in mm:** W = Width  
H = Height  
D = Depth  
h = Installation height  
d = Useful depth  
L = Length  
HU = Standard height unit, 1 HU = 44.45 mm  
19" = 482.6 mm, (ideal for 19" components in acc. with DIN 41494)  
UP = Unit of packaging  
kg = Weight

**Conversion:** 1 inch = 25,4 mm  
1 pound = 453,6 g  
Replace „x“ with the number of your color choice



## 24/7

### 24/7 Control Room Chair CENTO Air

- Specially designed for 24/7 control centre applications, very hard-wearing, durable, ergonomic and resilient.
  - High seating comfort thanks to wide ergonomically shaped padding
  - Height adjustable headrest
  - Backrest inclination 0-20 degrees
  - Heavy-duty mechanism with free-swinging function, seat tilt can be locked in place
  - Individual weight adjustment possibility
  - Extra large base for standard safety
  - Extra strong gas spring for height adjustment with depth springing
  - Dynamic and static sitting possible
  - Inflatable double lumbar support
  - Soft castors for hard surfaces
- **Technische Daten**
    - Width and height of backrest  
460 x 640 mm
    - Width and depth of seat  
480 x 480 mm
    - Width and depth of arm rests  
60 x 380 mm
    - Height adjustment of headrest  
0 – 80 mm
- **Material**
    - Seat and backrest: Synthetic leather and fabric
  - **Color**
    - Fabric / leather: Black
    - Seams: wine red
    - Castor base: Polished aluminum
  - **Supply schedule**
    - 1 Control Room Swivel Chair Cento Air
  - **How supplied**
    - Assembled
  - **Please note:**
    - Hard castors for carpet surfaces available



ACC20064

Model	Order no.	UP
Control Room Chair CENTO Air	00.350.070.9	1 unit

24/7

**Control Room Chair Secur 24 Basic**  
**24/7, head rest, Flip-Up arm rests, heavy duty**

- Comfortable automotive seat
  - Maximum load: up to 234 kg (515lbs.)
  - Height adjustable and tiltable comfort head rest, Protective cover included
  - Mechanical lumbar support
  - Flip-Up arm rests – Tilttable and fold away
  - Compressed gas main spring with end point cushion
  - Seating height ambidextrously adjustable 41 – 53 cm
  - Extra large 71 cm anti tip cast aluminum castor base
  - 65 mm (2,55") heavy duty castors
  - Specially designed tilting mechanism, adjustable below front edge of the seat 45 – 150 kg (99-331 lbs.)
  - Combination of black automotive synthetic leather and „Staccato“ fabric (black) 1.5 mio. cycles (Martindale)
  - Easily adjustably grace to fully ambidextrous controls
  - Ambidextrous back rest adjustment knob and maximum lean back angle
- **Material**
    - Fabric: „Staccato“ (black)
    - Black automotive synthetic leather 1.5 mio. cycles (Martindale )
    - Castor base: Polished cast metal
  - **Color**
    - Fabric: black
    - Castor base: Polished cast metal
  - **Supply schedule**
    - 1 control room chair
  - **How supplied**
    - Preassembled
  - **Please note:**
    - **Many other configurations available on request:**
      - Hard castors for carpet surfaces
      - Further fabric or leather paddings on request
      - Protective cover for head rest
      - 6-way comfort head rest
      - 10 cm sliding seat
      - All leather
      - Siped back rest
      - Chrome plated coat hanger
- **Dimensions**
    - Seat width 510 mm
    - Max. seat depth 480 mm
    - Back rest width 480 mm
    - Back rest height 600 mm

Model	Description	Order no.	UP
Secur 24 Basic	With Flip-up arm rests	00.350.078.9	1 unit



ACC20000

**Dimensions in mm:** W = Width  
 H = Height  
 D = Depth  
 h = Installation height  
 d = Useful depth  
 L = Length

HU = Standard height unit, 1 HU = 44.45 mm  
 19" = 482.6 mm, (ideal for 19" components in acc. with DIN 41494)  
 UP = Unit of packaging  
 kg = Weight

**Conversion:** 1 inch = 25,4 mm  
 1 pound = 453,6 g

Replace „x“ with the number of your color choice

## Professional

### se:do

se:do's special features include ergonomic functions that are easy to adjust, ensuring that alternating users will always have a healthy and comfortable sitting posture. se:do has an ergonomically formed seat pan and a height-adjustable backrest with a wide opening angle, which provides maximum back support in all positions. The Sedus "similar" mechanism allows the seat and backrest to always move in sync with the body. Numerous adjustment options round off the ergonomic properties, making every user feel relaxed and comfortable – up to 130kg of body weight.

- Backrest pressure finely graduated adjustable
- Integrated adjustable lumbar support (80mm)
- Height-adjustable tall backrest (610 – 690 mm)
- Backrest width 465 mm
- Height-adjustable plastic armrests (190 – 290 mm), clear span 490 – 510 mm (dependent on model)
- Robust five-wheel plastic base
- "Similar" mechanism with spring tension quick adjustment
- Gas spring with mechanical depth suspension
- Sliding seat (with 60 mm depth adjustment, dependent on model)
- Adjustable seat inclination (4°)
- Backrest comfortably upholstered or with breathable membrane cover
- Soft castors for hard floors

Also available in a conductive version for ESD workstations.

#### • Material

- Fabric wool Fame F60999 black 200.000 abrasion runs according to Martindale DIN 4102:B2 normal flammability (Cushion)
- Self-supporting knitted Polyester (membrane)
- ESD version: Gaja anti-static black 2A1 100% new wool 50.0000 abrasion runs according to Martindale DIN 4102:B2 normal flammability
- Five-wheel plastic base: black

#### • Certificates

- GS Safety label of TÜV Rheinland LGA products GmbH / DIN EN 1335
- Ergonomics certificate of TÜV Rheinland LGA Products GmbH
- Tested for harmful substances by TÜV Rheinland LGA Products GmbH
- Quality Office certificate
- AGR certificate
- 5 year warranty

#### • Supply schedule

- 1x swivel chair

#### • Note

##### Available upon request:

- Hard castors for soft floors
- Additional versions and covers

Type	Model	Order no.	UP
Swivel chair se:do	Membrane, without armrests	00.350.061.9	1 unit
Swivel chair se:do	Membrane, with armrests	00.350.062.9	1 unit
Swivel chair se:do	Cusion, without armrests	00.350.063.9	1 unit
Swivel chair se:do	Cushion, with armrests	00.350.064.9	1 unit
Swivel chair se:do	Cushion, without armrests, ESD	00.350.065.9	1 unit
Swivel chair se:do	Cushion, wit armrests, ESD	00.350.066.9	1 unit



se:do Membrane, with armrests

ACC20007



se:do Cushion, with armrests

ACC20008



se:do also ESD version available

ACC20009

Meeting

Visitor's Chairs

- Aesthetic visitor's chair for conference rooms and reception areas
  - Stackable
  - Black cantilever frame
  - Robust Ø 25 mm / 1" steel pipe
  - Plastic skids
  - Plastic arm rests
- **Material**
    - Set 2G8 black 72%Cradura™, 16% new wool, 12% Cellulose
    - 150.000 cycles (Martindale)
    - DIN EN 1021-1/2
  - **Color**
    - Fabric: black
    - Cantilever frame: black
  - **Supply schedule**
    - 1 Visitor's Chair
  - **How supplied**
    - Pre assembled
  - **Please note:**
    - Felt skids are available for glossy surfaces
    - Many other configurations available on request

Model	Order no.	UP
Black dot Cantilever with armrests, stackable, black	00.350.032.9	1 unit
Visitor chair (4-leg) without armrests	00.350.037.9	1 unit



ACC20012



ACC20053

Provided for use with the kind permission of Sedus Stoll AG. Unauthorised use is prohibited.

**Dimensions in mm:** W = Width  
 H = Height  
 D = Depth  
 h = Installation height  
 d = Useful depth  
 L = Length  
 HU = Standard height unit, 1 HU = 44.45 mm  
 19" = 482.6 mm, (ideal for 19" components in acc. with DIN 41494)  
 UP = Unit of packaging  
 kg = Weight

**Conversion:** 1 inch = 25,4 mm  
 of 1 pound = 453,6 g  
 Replace „x“ with the number of your color choice

# WORKPLACE LIGHTING

13 to 22



**WORKPLACE LIGHTING**

- **Task**
  - Knürr Task LED **15**
  - Knürr Task LED Flex **15**
  - LED Desk Lamp Taneo **16**
  - LED Magnifying Lamp **16**
  - Tevisio **16**
  - Lamp Mounting Adapter **17**
- **Workstation**
  - Knürr Console LED **18**
  - Knürr Lumax LED **19**
  - Knürr Smart LED **20**
- **Room Level**
  - Knürr Console LED pendant **21**
  - Knürr Console LED stand **22**
  - Knürr Control LED remote **22**

**Levels Of Workplace Lighting**

**From an ergonomic point of view a workplace structures in several access areas. Knürr divides these in three different areas:**

- **Task**
  - Area of immediate manual activity. Space for mouse, keyboard, writing utensils and communication devices. Task lights are meant to selectively illuminate the area directly in front of the operator. This light shall not affect other workstations and can be dimmed and adjusted.
- **Workstation**
  - Area of immediate manual activity and furthermore the complete remaining work surface of the console. Installed with overhead extension arms or as underfit lamp. Light sources allow 500

Lux for the working area. Precautionary oversizing may compensate for LED fading over time. Control panels are situated in front below the worktop and in easy reach.

- **Room Level**
  - Ceiling-mounted lamps are of advantage for an unobstructed view to a monitor wall. These overhead lamps illuminate the console with direct and indirect light and subsequently can be integrated in the room illumination. GST18 connector system, DALI and radio control allow for an easy installation.



Task

DAA20082



Workstation

DAA20055



Room Level

ACC20013

## Task

### Knürr Task LED

The Knürr Task LED is fitted with a bright LED lamp that provides pleasant task lighting and an easily accessible dimming button.

A specially developed highly reflective plastic reflector ensures glare-free working. What's more, even with such impressive performance figures, the Knürr Task LED is surprisingly economical in terms of energy consumption, with only 8 W of installed consumption for an average illuminance of up to 700 lx.

- Light and easy to adjust to your individual position
- Specially developed reflector for glare-free lighting
- Switching and dimming with memory function via easily accessible control button in the luminaire head
- Automatic cut-off and switch-on behavior can be adjusted
- Maintenance free LED technology with a service life of up to 50,000 hours and more

#### • Technical data

- Color temperature neutral white 4,000 K
- Connected load 100-240 V; 50/60 Hz
- Power consumption approx. 8 W
- Luminous flux approx. 600 lm
- Luminous efficacy approx. 75 lm/W
- Illuminance efficiency factor 93 lx/W
- Color rendering index (CRI) >80 (typ.85)
- Supplied with 3 m mains lead and with mains plug type CEE 7 / 16 (Euro plug),
- Various fastenings as accessories

#### • Color

- Aluminum black coated

#### • Supply schedule

- 1 Knürr Task LED  
(Please always order mounting adapter of choice)

Description	Model	Order no.	UP
Knürr Task LED	2 hinges (1 arm)	00.350.179.9	1 unit
Knürr Task LED L	3 hinges (2 arms)	00.350.174.9	1 unit



Knürr Task LED

DAA20082



Knürr Task LED L

DAA20083

### Knürr Task LED Flex

The Knürr Task LED Flex brings the combination of lighting quality, energy efficiency, and design to a new level. The richly contrasting interaction between angular and elliptical forms lends it a unique character. The advantages of its cleverly designed thermal management are plain to see: higher energy efficiency, longer service life, and less heating up.

- Light and easy to adjust to your individual position
- Specially developed reflector for glare-free working
- Switch-off and dimming with a light touch of the touch-LED
- Intelligent Auto-Off function (after 14 h) reduces power consumption
- Maintenance free LED technology with a service life of up to 50,000 hours and more

#### • Technical data

- Color temperature neutral white 4,000 K
- Connected load 100-240 V; 50/60 Hz
- Power consumption approx. 7 W
- Luminous flux approx. 400 lm
- Luminous efficacy approx. 57 lm/W
- Illuminance efficiency factor 64 lx/W
- Color rendering index (CRI) >80
- Supplied with 2.3 m mains lead and with mains plug type CEE 7 / 16 (Euro plug),
- Various fastenings as accessories

#### • Color

- Aluminium anodized

#### • Supply schedule

- 1 Knürr Task LED Flex  
(Please always order mounting adapter of choice, see page 27)

Description	Model	Order no.	UP
Knürr Task LED Flex	Length approx. 30 cm	00.350.169.9	1 unit
Knürr Task LED Flex L	Length approx. 90 cm	00.350.165.9	1 unit



Knürr Task LED Flex

DAA20081



Knürr Task LED Flex L

DAA20054

**Task**

**LED Workstation Lamp Taneo**

• **Technical data**

- Fitted with: 24 x Light-emitting diode light color neutral white, 3800-4300 K, Color Rendering Index (CRI)=80
- Work equipment: electronic transformer
- Connected load: 100-240 V; 50/60 Hz
- Power consumption: approx. 31 W
- Glare-free: conical prismatic screen
- System of protection: IP 20
- Class of protection: II
- Usage: multi-function switch
- Luminaire body: material sectional, aluminum surface, anodised color, aluminum colored, anodised
- Lamp cover: acrylic clear

- Tubular sections: material tubular, aluminum section, surface anodized, Form tubular section upright, color aluminum colored anodised
- Balance of articulation joints: spring
- Weight (net): approx. 1.9 kg
- Mains lead approx. 3.3 m; mains plug CEE 7/XVI
- Fastening: screw-down flange,

• **Supply schedule**

- 1 LED Workstation lamp Taneo

• **Please note**

- (Please always order mounting adapter of choice)



Workstation lamp Taneo

ACC20022

Picture: Herbert Waldmann GmbH & Co. KG

	Order no.	UP
	00.350.167.9	1 unit

**LED Magnifier Lamp Tevisio**

• **Technical data**

- Equipped with: 48 x LED, neutral white
- 3700 - 4200 K, color rendition index (CRI) 90
- Electronic transformer plug
- Mains: 100-240V; 50/60 Hz
- Power consumption: ca. 14 W
- Degree of protection: IP 20
- Protection class II
- Continuous dimming
- Multi-function switch
- Net weight: ca. 2.7kg
- BS 1363, CEE7/XVI, NEMA 1-15P
- Mounting: mounting flange, base
- Lense: 3,5 diopters

• **Dimensions**

- Diam. magnifier lens: D160 mm
- Mains cable: ca. 3,4 m Schuko type plug

• **Material**

- Magnifier lens: glas

• **Color/Surfaces**

- Housing:**
  - ABS, black
- Cover:**
  - Polyamide, matte (PA)
- Swivel arm:**
  - Extruded aluminum profile, clear anodized

• **How supplied**

- 1 LED Magnifier Lamp Tevisio



LED Magnifier Lamp „Tevisio“

ACC20023

Picture: Herbert Waldmann GmbH & Co. KG

	Order no.	UP
	00.350.155.1	1 unit



## Task

### Mounting Adaptors

#### Important information

- Our workstation lamps are supplied as standard with a universal adapter. Please order the corresponding adapter or the respective Knürr Console.

#### Versions

##### Functional rail

- for Installation on functional rails as used with Ergocon, Elicon or Dacobas

##### Dacobas Profile

- for T-Slot installation on Dacobas and Elicon profiles at any height

##### Tabletop

- for direct installation in the tabletop

##### Dacobas/Elicon Profile (top)

- for fixation at the top side of Dacobas or Elicon Profiles

#### Universal mounting adaptor

- for fixation at tabletops with a max. height of 70mm

#### Supply schedule

- 1 Adaptor
- Mounting material

#### Color/Surfaces

- Plastic / Aluminum powder coated

System	Color	Order no.	UP
Functional rail	RAL9006 white aluminium	01.316.225.9	1 set
Dacobas Profile	RAL9006 white aluminum	01.316.256.9	1 set
Tabletop adaptor	Black	00.350.181.9	1 unit
Dacobas-Profile (top)	RAL5008 grey blue	00.350.156.1	1 set
Elicon-Profile (top)		00.351.031.7	1 set
Universal mounting adaptor	Black	00.350.180.9	1 unit



DAA20053

Mounting adaptor for functional rail



ACC20014

Mounting adaptor for Dacobas-Profile (side)



DAA20085

Tabletop mounting adaptor



DAA20086

Tabletop mounting adaptor



DAC20036

Mounting adaptor for Dacobas-Profile (top)



CON20017

Mounting adaptor for Elicon-Profile (top)



ACC20050

Universal mounting adaptor

**Dimensions in mm:** W = Width  
H = Height  
D = Depth  
h = Installation height  
d = Useful depth  
L = Length

HU = Standard height unit, 1 HU = 44.45 mm  
19" = 482.6 mm,  
(ideal for 19" components in acc. with DIN 41494)

UP = Unit of packaging  
kg = Weight

**Conversion:** 1 inch = 25.4 mm  
1 pound = 453.6 g

Replace „x“ with the number of your color choice

Workstation

Knürr Console LED

Highest Quality Of Light

The light dimming function adapts the amount of light to individual needs. Planar, homogeneous and flicker-free light relieves the eyes during work. Possible disturbing reflexions on bright surfaces are avoided with glare control.

Task-oriented Technology

Knürr Console LED provides high illuminance and absolute glare-free illumination for perfect light at the workstation. The enclosed lamp housing with a flat and compact design prevents the intrusion of dirt and is easy to clean.

- Utmost homogenous glare- and flicker-free light
  - Light output through parabolic louver for perfect glare suppression
  - Continuously dimmable with lamp-mounted or remote switch
  - Robust aluminum enclosure
- **Finish**
    - Hard anodized white-aluminum
    - Powder-coated RAL 9006 white aluminum

- **Material**
  - Lamp enclosure: extruded aluminum, plastic
  - Connection part: sheet-steel
  - lamp rods: round steel tube

• **Technical Data**

**Dimensions:**

- Lamp enclosure: 1256 x 187 x 50 mm
- Round steel tube diameter 22 mm
- Weight: approx. 5.4kg

**Light:**

- Luminous flux 3200 lm
- Color of light: neutral white (EN 12464-1)
- Color temperature: 4000 K
- Color rendering index: Ra > 80

**Electrical:**

- Power consumption approx. 33 W
- Power supply: 220 – 240 V 50/60 Hz
- Integrated on/off switch
- 6 meter Schuko power cord

• **Supply schedule**

- 1 Knürr Console LED
- 2 Lamp rods
- Mounting material (for mounting to Knürr functional rail)
- version with external light dimming: 1 module with external button switch for on/off and dimming

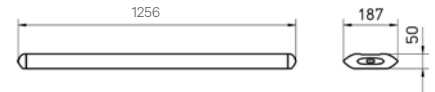


Knürr Console LED

ACC20015



• LED •



Model	Order no.	UP
External light dimming	00.350.177.9	1 unit
Internal light dimming	00.350.178.9	1 unit

**Dimensions in mm:** W = Width  
 H = Height  
 D = Depth  
 h = Installation height  
 d = Useful depth  
 L = Length

HU = Standard height unit, 1 HU = 44.45 mm  
 19" = 482.6 mm, (ideal for 19" components in acc. with DIN 41494)

UP = Unit of packaging  
 kg = Weight

**Conversion:** 1 inch = 25.4 mm  
 1 pound = 453.6 g

Replace „x“ with the number of your color choice

## Workstation

### Knürr Lumax LED Lamp Workstation or system installation

- State of the art LED-Modules for highest efficiency
- Glare free
- Photometric properties checked according to DIN EN 13032-1
- Overdimensioned LED-Modules allow for dimming in the first years of use and thus grant extremely longevity
- Dimmable with „Touch DIM“ feature via push button on the lamp or at tabletop
- Perfect fit for Knürr consoles (adaptors for Knürr's multi functional rails)
- 20° tiltable

#### • Material

- Sheet steel powder coated

#### • Color combinations

##### Lamp:

- Metallic grey microstructure

##### Side cover:

- RAL 9007 grey aluminum microstructure

##### Version system lamp:

- .9 = supports in metallic grey microstructure
- .7 = supports in RAL 9006 white aluminum

#### • Technical Data (W1140)

##### Dimensions:

- Width: 1140 mm
- Height: 30 mm (without mounting adapter)
- Depth: 100 mm

##### Light:

- Luminous flux 2160 lm
- Luminous efficiency: 80 lm/W
- Color temperature: 4000 K
- Color rendering index: Ra > 80
- SDCM: 4
- Dimming range: 1 – 100%
- Average lifetime (LED): 50.000 h

#### Electrical:

- Power consumption max. 27 W
- Power supply: 220 – 240 V 50/60 Hz

#### • Technical Data (W1700)

##### Dimensions:

- Width: 1700 mm
- Height: 30 mm (without mounting adapter)
- Depth: 100 mm

##### Light:

- Luminous flux 3255 lm
- Luminous efficiency: 83 lm/W
- Color temperature: 4000 K
- Color rendering index: Ra > 80
- SDCM: 4
- Dimming range: 1 – 100%
- Average lifetime (LED): 50.000 h

#### Electrical:

- Power consumption max. 39 W
- Power supply: 220 – 240 V 50/60 Hz

#### • Supply schedule

- 1x LED lamp with integrated LED driver
- Version with offset switch:  
1x module with external push button for switching and dimming
- Overhead system lamp:  
with adaptors to Knürr's multi functional rail
- 1x Schuko lead (3m)
- Mounting material

#### • How supplied

- Pre-assembled



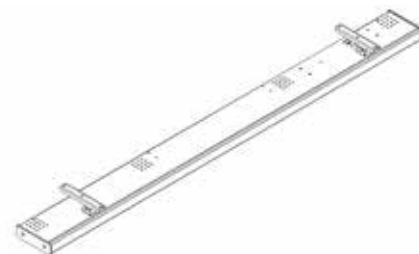
ACC20016

#### • LED •

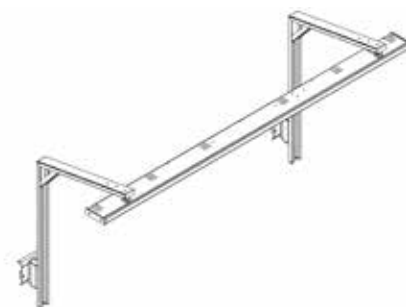


Knürr Lumax LED Lamp

DAA20055



Workstation lamp (underfit)



System lamp

Description	Model	Order no.	UP
Knürr Lumax LED 1140U 4000K int.	Workstation lamp with integrated push button	00.350.182.9	1 unit
Knürr Lumax LED 1140U 4000K ext.	Workstation lamp with offset push button (below table top)	00.350.183.9	1 unit
Knürr Lumax LED 1700U 4000K int.	Workstation lamp with integrated push button	00.350.186.9	1 unit
Knürr Lumax LED 1700U 4000K ext.	Workstation lamp with offset push button (below table top)	00.350.187.9	1 unit
Knürr Lumax LED 1140B 4000K ext.	System lamp with offset push button (below table top)	00.350.185.7	1 unit
Knürr Lumax LED 1140B 4000K ext.	System lamp with offset push button (below table top)	00.350.185.9	1 unit
Knürr Lumax LED 1700B 4000K ext.	System lamp with offset push button (below table top)	00.350.189.7	1 unit
Knürr Lumax LED 1700B 4000K ext.	System lamp with offset push button (below table top)	00.350.189.9	1 unit
Fixation kit for worktop installation	for system lamp	00.350.198.9	1 unit

Workstation

Knürr Smart LED

Modern LED underfit lamp for installation beneath a workstation superstructure level.

- LED technology for optimum energy efficiency
- Frosted glass cover prevents direct glare
- Integrated electronic power supply for a slim design
- Easy to reach on/off switch
- lamp tiltable by 15°
- Simple assembly

Material

- Sheet-steel, powder-coated

Finish

- Powder-coating RAL 9006 white-aluminum

Technical Data

Dimensions:

- Overall height: approx. 80 mm
- Overall width: see table

Light:

- Luminous flux:  
1100 lm (version W 700 mm)  
1780 lm (version W 1300 mm)
- Color of light: neutral white (EN 12464-1)
- Color temperature: 4000 K
- Color rendering index: Ra > 80

Electrical:

- Power consumption max.  
10 W (version W 700 mm)  
18 W (version W 1300 mm)
- Power supply: 220 – 240 V 50/60 Hz
- Integrated on/off switch
- C13 mounting socket
- 2.0m Schuko power cord

Supply Schedule

- 1 Lamp Smart LED
- 1 Mounting material
- 1 Power cord

Model	W	Order no.	UP
Underfit lamp	700	00.350.190.9	1 unit
Underfit lamp	1300	00.350.191.9	1 unit

• LED •



ACC20017

• LED •



Knürr Smart LED

ACC20018

Dimensions in mm: W = Width  
H = Height  
D = Depth  
h = Installation height  
d = Useful depth  
L = Length

HU = Standard height unit, 1 HU = 44.45 mm  
19" = 482.6 mm, (ideal for 19" components in acc. with DIN 41494)  
UP = Unit of packaging  
kg = Weight

Conversion: 1 inch = 25.4 mm  
1 pound = 453.6 g

Replace „x“ with the number of your color choice

## Workstation

### Knürr Console LED pendant

Pendant luminaire. Suspended ceiling mount in extra flat design does not block the view to large screen display walls with multiple console desks. Direct light portion with Edgelight and Lightguide technology for homogeneous light emission. Indirect light portion with Batwing diffusor for a wide light emission. Absolutely glare-free. Variable ceiling distance (0.3 – 0.7 m) allows use in room heights from 2.5 and 4.2 m. Easy installation: Only needed is a Schuko or GST18 socket in the ceiling. Lamp control with existing light management system (DALI) or with Knürr Control LED remote unit.

- **Finish**
  - Powder-coated white
- **Material**
  - Sheet-steel, powder-coated
  - Lamp cover: Acrylic (PMMA) clear (colorless)

- **Technical Data**
  - Fitted with LED
  - Connection: 220 – 240 V; 50/60 Hz
  - Power consumption: approx. 49 W
  - Luminous flux: 7000 lm
  - Luminous efficiency: 143 lm/W
  - Direct light portion: approx. 34%
  - Color of light: neutral white, approx. 4000 K
  - Color rendering index: Ra > 80
  - Color tolerance: < 3 SDCM
  - Luminance: <2500 cd/m<sup>2</sup>
  - UGR class: < 16
- **Supply Schedule**
  - 1 Knürr Console pendant with radio-controlled receiver
  - 1 Mounting material
- **Note**
  - Linking possible upon request. Please contact us!
  - Wireless control Knürr Control LED to be ordered separately!



Knürr Console LED pendant

ACC20019

Picture: Herbert Waldmann GmbH & Co. KG

Model	Order no.	UP
Knürr Console LED pendant	00.350.193.9	1 unit



ACC20013

Room Level

**Knürr Console LED stand**

Floor lamp for positioning in front or side of workstations. Ideal for subsequent improvement of the workstation light situation without installation. Glare-free with light emission through prism aperture. For room height between 2.5 and 3.5 m. Controlled with Knürr Control LED remote or existing light management system (DALI).

- **Finish**
  - Powder-coated white
- **Material**
  - Sheet-steel powder-coated
  - Lamp cover Acrylic (PMMA) clear (colorless)
- **Technical Data**
  - Fitted with LED
  - Connection: 220 – 240 V; 50/60 Hz
  - Power consumption: approx. 87 W
- Stand-by: approx. 0,30 W
- Luminous flux: 12000 lm
- Luminous efficiency: 136 lm/W
- Direct light portion: approx. 15%
- Color of light: neutral white, approx. 4000 K
- Color rendering index: Ra > 80
- Color tolerance: < 3 SDCM
- Luminance: <2500 cd/m<sup>2</sup>
- UGR class: < 16
- Height: approx. 2040 mm

- **Supply Schedule**
  - 1 Knürr Console LED stand with radio-controlled receiver
  - 1 Mounting material
- **Note**
  - Wireless control Knürr Control LED to be ordered separately!



Knürr Console LED stand

ACC20020



ACC20021

Picture: Herbert Waldmann GmbH & Co. KG

Model	Order no.	UP
Knürr Console LED stand	00.350.197.9	1 unit

**Knürr Control LED remote**

Modern workstation illumination are almost always controlled from a control panel below the tabletop front edge. The Knürr Control LED remote works without control cable from console to room ceiling by use of the Europe-wide approved 868 MHz standard (not susceptible to interference).

The usual control panel gets replaced by an identical unit with built-in radio transmitter. One or more room lights can be controlled from one control panel or also, several control panels can have access to the common room lighting.

- **Technical Data**
  - Connection: 220 – 240 V; 50/60 Hz
  - Radio frequency: 868,3 MHz
  - Connection: Schuko (control panel)
- **Supply Schedule**
  - 1 radio control unit (control panel)



Model	Order no.	UP
Knürr Console LED remote	00.350.199.9	1 unit

**Dimensions in mm:** W = Width  
 H = Height  
 D = Depth  
 h = Installation height  
 d = Useful depth  
 L = Length

HU = Standard height unit, 1 HU = 44.45 mm  
 19"= 482.6 mm, (ideal for 19" components in acc. with DIN 41494)  
 UP = Unit of packaging  
 kg = Weight

**Conversion:** 1 inch = 25.4 mm  
 1 pound = 453.6 g

Replace „x“ with the number of your color choice

# PROFESSIONAL DISPLAY MOUNTS

23 bis 33



ACC20056



ACC20026

**Knürr Elicon® VideoWall Structure  
2x2, free-standing**

- Modular and expandable VideoWall system
  - Simple assembly on site due to the Factory pre-assembled components
  - Stable and flexible mounting of the Large screens on the monitor crossbar
  - Telescopic display mounts guarantee best maintenance access
  - Completely concealed cabling with toolless removable covers
- **Material**
    - Side pieces: Extruded aluminium profiles and aluminium head piece, foot stabilizer made of die-cast aluminium, side covers made of sheet steel, powder-coated
    - Crossbars: extruded aluminium profile with sheet steel carrier, powder-coated
    - Monitor holder: sheet steel, powder-coated
  - **Finish**
    - VideoWall base structure completely in RAL 9006, whitealuminium
    - Display mounts: black
- **Dimensions**
    - Total width appr. 2100mm
    - Clear width 2000mm
    - Side panel height 2500mm, depth 1115mm, width 50mm
  - **Note**
    - Further dimensions and configurations on request
  - **Supply schedule**
    - 2 side pieces with integrated vertical cable routing and leg stabilizer front and rear for highest stability
    - 2 monitor crossbars with integrated cable guide for fastening the large screens
    - 4 Monitor holder telescopic, for monitors up to VESA 800x400, respectively 50 kg
    - 1 Perforated sheet wall H550 mm front
    - Mounting material
  - **How supplied**
    - Pre-assembled units



ACC20054

W	H	Order no.	UP
2100	2500	Knürr Elicon® VideoWall Structure <b>04.501.099.7</b>	1 unit

**Knürr Elicon® VideoWall Telescopic Monitor Holder**

- Suitable for Displays up to 50kg
  - VESA mounting 100x100 - 800x400 mm
  - Tool-less design for comfortable discontinuation
  - Push-out holder for simple maintenance access
  - Fast and easy alignment of the displays
- **Material**
    - Sheet steel, powder-coated
  - **Finish**
    - Schwarz, RAL 9011
  - **Supply schedule**
    - 1 set of monitor holder
    - Mounting material
  - **How supplied**
    - Pre-assembled set



ACC20055



ACC20056

Order no.	UP
VideoWall Telescopic Monitor Holder <b>04.501.018.9</b>	1 Set (for 1 monitor)



We also offer LCD-screens for 24/7 use in control rooms as well as professional video control hard- and software in corporation with our well known partners.  
**Please let us know your requirements!**

**Dimensions in mm:** W = Width  
H = Height  
D = Depth  
h = Installation height  
d = Usable depth  
L = Length

HEA = electronically height adjustable  
HA = height-adjustable

UP = Unit of packaging  
kg = Weight

**Conversion:** 1 inch = 25,4 mm  
Replace „x“ with the number of your color choice



## Knürr Elicon® VideoWall Side Piece

- Design harmonized with Knürr Ergocon® and Knürr Elicon® VC / VC-E consoles.
- Large-volume cable management with much space and best accessibility
- Toolless removable covers, continuous on the outside and segmented on the inner side and in the Interlinking area.

### Type 1:

- Long leg stabilizer (front and rear), for free-standing installation in the room

### Type 2:

- Leg stabilizer at the front, for installation in front of a Wall (incl. 1 wall mounting bracket)

### Type 3:

- Without leg stabilizer, for installation in front of a Wall (incl. 2 wall mounting brackets)

### Material

- Side pieces: Extruded aluminium profiles and aluminium head piece, foot stabilizer made of die-cast aluminium, side covers made of sheet steel, powder-coated

### Finish

- Side pieces complete in RAL 9006, whitealuminum

### Dimensions

- Depth: Type 1: 1115 mm, Type 2: 800 mm, Type 3: 330 mm
- Width: 50 mm
- Height: depending on version, 2500 mm or 3000 mm

### Supply schedule

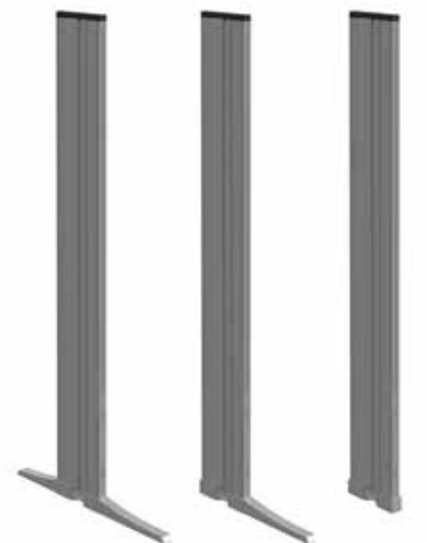
- 1 Side panel, with integrated vertical cable routing

### How supplied

- Pre-assembled

### Note

- For versions with wall mounting bracket are the fixing accessories on the wall not included in delivery scope



**Type 1**

ACC20061

**Type 2**

ACC20062

**Type 3**

ACC20063

W	H	D	End- Side Piece H2500	Order no.	UP
50	2500	1115	free-standing (Type 1)	04.501.100.7	1 unit
50	2500	800	leg stabilizer at the front (Type 2)	04.501.101.7	1 unit
50	2500	330	without leg stabilizer (Type 3)	04.501.102.7	1 unit

W	H	D	End- Side Piece H3000	Order no.	UP
50	3000	1115	free-standing (Type 1)	04.501.110.7	1 unit
50	3000	800	leg stabilizer at the front (Type 2)	04.501.111.7	1 unit
50	3000	330	without leg stabilizer (Type 3)	04.501.112.7	1 unit

W	H	D	Connection Side Piece H2500	Order no.	UP
50	2500	1115	free-standing (Type 1)	04.501.105.7	1 unit
50	2500	800	leg stabilizer at the front (Type 2)	04.501.106.7	1 unit
50	2500	330	without leg stabilizer (Type 3)	04.501.107.7	1 unit

W	H	D	Connection Side Piece H3000	Order no.	UP
50	3000	1115	free-standing (Type 1)	04.501.115.7	1 unit
50	3000	800	leg stabilizer at the front (Type 2)	04.501.116.7	1 unit
50	3000	330	without leg stabilizer (Type 3)	04.501.117.7	1 unit

### Knürr Elicon® VideoWall Monitor traverse

- Sturdy traverse made of extruded aluminium profile in combination with a 3mm sheet steel cross beam
  - Large-volume cable management with plenty of space for cables, power supplies, thin clients or switches
  - Cable routing already integrated in the traverse
  - With integrated T-slots for mounting Knürr DI-STRIP® socket strips and accessories
- **Material**
    - Cross beam : extruded aluminium profile
    - Monitor traverse and mounting bracket: sheet steel
  - **Finish**
    - Complete in RAL 9006, white aluminium
- **Dimensions**
    - Clear width between the side pieces: 1000mm or 2000mm
  - **Supply schedule**
    - 1 monitor traverse, with integrated horizontal cable routing
  - **How supplied**
    - Pre-assembled
  - **Note**
    - To stabilise the wall, either a cross beam or a perforated sheet metal wall is required in the lower area.



ACC20057



ACC20056

W	H	D	Order no.	UP	
1000			Monitor traverse W1000	04.501.120.7	1 unit
1000			Monitor traverse W1000, link-up	04.501.130.7	1 unit
2000			Monitor traverse W2000	04.501.125.7	1 unit
2000			Monitor traverse W2000, link-up	04.501.135.7	1 unit

### Knürr Elicon® VideoWall Lower Cross beam

- Sturdy cross beam made of extruded aluminium profile for transverse reinforcement of the base frame, e.g. if only one monitor cross member is used.
  - With integrated T-slots for mounting Knürr DI-STRIP® socket strips and other accessories.
- **Material**
    - Cross beam : extruded aluminium profile
    - Mounting bracket: sheet steel
  - **Finish**
    - Complete in RAL 9006, white aluminium
- **Dimensions**
    - Clear width between the side pieces: 1000mm or 2000mm
  - **Supply schedule**
    - 1 lower cross beam with mounting material
  - **How supplied**
    - Pre-assembled
  - **Note**
    - To stabilise the wall, either a cross beam or a perforated sheet metal wall is required in the lower area.



ACC20058



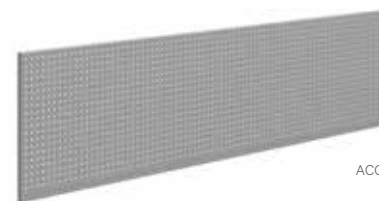
ACC20056

W	H	D	Order no.	UP	
1000			Lower cross beam W1000	04.501.140.7	1 unit
2000			Lower cross beam W2000	04.501.145.7	1 unit

## Knürr Elicon® VideoWall Perforated sheet panel

- For installation below the monitors on the front side or as a complete cladding on the rear side (for freestanding versions).
- Simple assembly due to clever suspension mechanism
- Several rear panels can be easily mounted on top of each other
- **Material**
  - Sheet steel, powder-coated
- **Finish**
  - RAL 9006, white aluminium
- **Supply schedule**
  - 1 perforated panel with mounting material
- **Note**
  - To stabilise the wall, either a cross beam or a perforated sheet metal wall is required in the lower area.

W	H	D		Order no.	UP
1000			Perforated sheet panel W1000 H550	<b>04.501.150.7</b>	1 unit
2000			Perforated sheet panel W2000 H550	<b>04.501.155.7</b>	1 unit



ACC20059



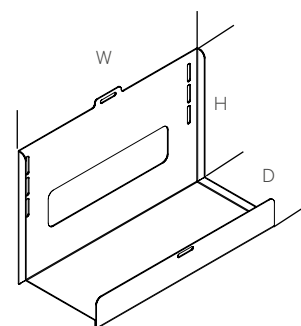
ACC20060

## Knürr Thin Client

### Thin client mounting bracket:

- Mounted on the rear of the Knürr monitor traverse for short cable runs
- With eyelets for optional retaining straps (not included)

W	H	D		Order no.	UP
345	234	150	Thin Client mounting bracket	<b>04.412.195.8</b>	1 unit



SYN20200

**Dimensions in mm:** W = Width  
H = Height  
D = Depth  
h = Installation height  
d = Usable depth  
L = Length

HEA = electronically height adjustable  
HA = height-adjustable

UP = Unit of packaging  
kg = Weight

**Conversion:** 1 inch = 25,4 mm

Replace „x“ with the number of your color choice

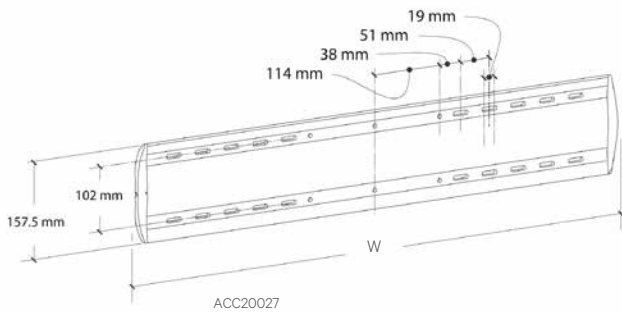
**Wall Mounting Bracket  
Tiltable**

- For large flatscreens up to VESA 600x400 (XL-version VESA 800x400)
  - Easy mounting
  - More viewing comfort – effortless tilting, prevents bothersome reflections
  - Security lock against unauthorized flat screen removal
  - Up to 79 kg load capacity
- **How supplied**
    - Flat-packed kit
  - **Dimensions**
    - Tilt angle +15° / -5°
    - Wall distance 89 mm
  - **Material**
    - Aluminum extrusion rail
    - Sheet steel mounting bracket
    - Plastic caps
  - **Finish**
    - Metal parts – powder-coated, RAL 9006, white aluminum

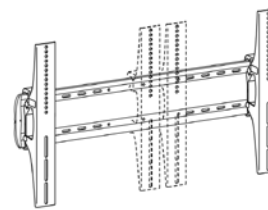


ACC20026

W	H	D		Order-no.	UP
704	157,5	89	Wall Mounting Bracket, tiltable	01.316.270.0	1 unit
900	157,5	89	Wall Mounting Bracket, tiltable XL	01.316.271.0	1 unit



ACC20027



**Monitor Ceiling Mount (200 cm)**

- Robust and adjustable monitor ceiling mount. Securely fits LCD-, LED- and Plasma displays
  - Power and signal cable run hidden inside the mounting tube
  - Mounting tube rotatable for ideal monitor orientation
  - For monitors from 40"
  - Load rating up to 60 kg
  - Inclination adjustable 0° - 11°
  - VESA
    - 400x200, 600x200
    - 300x300
    - 400x400, 600x400
- **Material/Finish**
    - Sheet-steel, welded
    - Powder-coated RAL 7021 black-grey
  - **Supply Schedule**
    - **Set, consists of**
      - ceiling plate
      - mounting tube (2000 mm)
      - Monitor adapter
  - **How Supplied**
    - Set
  - **Note**
    - Additional mounting tube length available on request (1000mm and 3000mm)



ACC20028

Type	Order no.	UP
Monitor Ceiling Mount	01.316.262.9	1 unit

## Monitor Mounts

Flat screen monitors are the main interface in today's control rooms between operator and system. According to ergonomic principles, monitors should always be easily adjustable towards the user and allow for quick change in order to reduce maintenance time to a minimum.

Dacobas Advanced Control Room Consoles can be equipped with the following monitor mounts while keeping all flexibility:

- **Functional Rail on Dacobas Profile Extensions**

- Large range of accessories like monitor arms, lighting, and much more make the Functional Rail a versatile platform. Mounts between two vertical profiles and a perforated rear panel.

- **Add on Monitor Poles**

- For single or two story installation
- Free placement on the worktop
- Best view on everything behind the console

- **Functional Rail Add on Monitor Level**

- Besides the various options of the standard Functional Rail, this version also offers an electric height adjustment in option. This allows a better view on videowalls behind the console.
- For additional information see also our catalogue "Ergonomic Flat Screen Supports".

- **Surface**

- RAL 6009 White aluminum



DAA20044

DAA20043



DAA20045

W	H	Type	Model	Order-no.	UP
570		Duo	Knürr Dacobas®	<b>01.316.280.9</b>	1 unit
630		Duo	Knürr Dacobas®	<b>01.315.170.9</b>	1 unit
830		Duo	Knürr Dacobas®	<b>01.315.171.9</b>	1 unit
1030		Duo	Knürr Dacobas®	<b>01.315.172.9</b>	1 unit
1140		Duo	Knürr Dacobas®	<b>01.316.282.9</b>	1 unit
1200		Duo	Knürr Dacobas®	<b>01.316.283.9</b>	1 unit
1230		Duo	Knürr Dacobas®	<b>01.315.173.9</b>	1 unit
1430		Duo	Knürr Dacobas®	<b>01.315.174.9</b>	1 unit
1600		Duo	Knürr Dacobas®	<b>01.316.284.9</b>	1 unit
1630		Duo	Knürr Dacobas®	<b>01.315.175.9</b>	1 unit
1710		Duo	Knürr Dacobas®	<b>01.316.285.9</b>	1 unit
1830		Duo	Knürr Dacobas®	<b>01.315.176.9</b>	1 unit
2030		Duo	Knürr Dacobas®	<b>01.315.177.9</b>	1 unit
45° - corner		Duo	Knürr Dacobas®	<b>01.315.180.9</b>	1 unit
90° - wall corner		Duo	Knürr Dacobas®	<b>01.315.181.9</b>	1 unit
90° - trapezoid corner		Duo	Knürr Dacobas®	<b>01.315.182.9</b>	1 unit
800		Duo	Knürr Elicon®	<b>04.208.210.9</b>	1 unit
1000		Duo	Knürr Elicon®	<b>04.208.211.9</b>	1 unit
1200		Duo	Knürr Elicon®	<b>04.208.212.9</b>	1 unit
1400		Duo	Knürr Elicon®	<b>04.208.213.9</b>	1 unit
1600		Duo	Knürr Elicon®	<b>04.208.214.9</b>	1 unit
1800		Duo	Knürr Elicon®	<b>04.208.215.9</b>	1 unit
2000		Duo	Knürr Elicon®	<b>04.208.216.9</b>	1 unit
	400		Add on Monitor Poles	<b>01.316.233.9</b>	1 unit
	700		Add on Monitor Poles	<b>01.316.234.9</b>	1 unit
1600			Monitor Level, circular	<b>93.200.317.3</b>	1 unit
1600			Monitor Level, circular, height adjustable	<b>93.200.314.3</b>	1 unit

**Dimensions in mm:** W = Width  
H = Height  
D = Depth  
h = Installation height  
d = Usable depth  
L = Length

HEA = electronically height adjustable  
HA = height-adjustable

UP = Unit of packaging  
kg = Weight

**Conversion:** 1 inch = 25,4 mm

Replace „x“ with the number of your color choice

## Monitor Arms

- Monitor arms for mounting flat screens with the 75 and 100 mm VESA mounting
- With cable management
- **Supply schedule**
  - 1 flat screen support
  - Type E, F and G come with height adjustment plate
  - Mounting material
- **How supplied**
  - Flat-packed kit
- **Type D-G**
  - For mounting on Knürr double functional rails
  - Swivel arm depth adjustment or gas spring arms for individual height adjustment
  - Quick mounting rail adapters
  - Free placement on horizontal double functional rails

- **Finish / Material Type D-G**
  - Swivel arm: die-cast aluminium
  - Adapter plates: sheet steel
  - Gas spring arm covers: plastic
  - Metal parts: powder-coated, RAL 9006, White aluminum, smooth
  - Gas spring arm housing – type B/C:
  - Plastic, light grey
- **Type H**
  - With extension arm
  - Integrated gas spring
  - With quick connector function (01.316.257.9 and 01.316.258.9)
- **Finish / Material Type H**
  - Gas spring arm housing: Die-cast aluminum, silver
  - Extension arm: Aluminum, silver

Model	Height adjustment plate	Load-bearing capacity	Order no.	UP
Type D, short		12 Kg	01.316.210.9	1 unit
Type E, medium (180 mm)	•	10 Kg	01.316.211.9	1 unit
Type F, long (250 mm)	•	10 Kg	01.316.212.9	1 unit
Type G, double joint (180 + 250 mm)	•	8 Kg	01.316.213.1	1 unit
Type H, Gas spring arm for rail		4 - 9 Kg	01.316.257.9	1 unit
Type H, Gas spring arm with desk clamp		8 -15 Kg	01.316.258.9	1 unit
Type H, Gas spring arm for rail, heavy duty		8 - 12 Kg	01.316.259.9	1 unit
Mounting Adaptor IM-Profile			01.316.214.9	1 unit
Type D, for Pole		6 Kg	01.316.250.9	1 unit
Type E, for Pole	•	6 Kg	01.316.251.9	1 unit
Type F, for Pole	•	6 Kg	01.316.252.9	1 unit
Type G, for Pole (2x180mm)	•	6 Kg	01.316.253.9	1 unit
Single connector			01.316.224.9	1 unit
Double connector			01.316.227.9	1 unit

- **Please note**
  - Monitor Arms for Monitor Poles come without mounting adaptors for functional rails. In order to install with Monitor Poles, please also order Single or Double Connector.

- **Please take note off the maximum load and leverage indicated in the corresponding data sheets.**



Type D CIC20031



Type E CIC20032



Type F CIC20033



Type G CIC20034



Single connector KON20086



Double connector ERG00042



Type H DAC20191



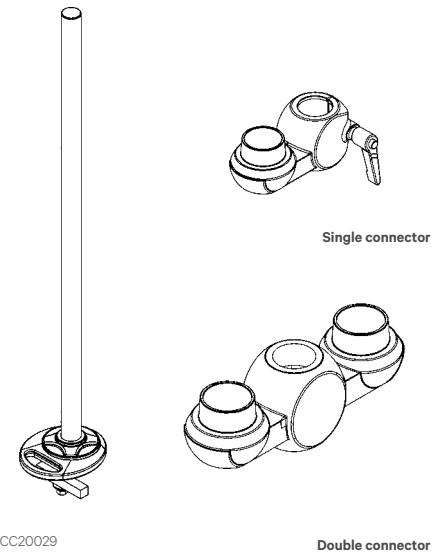
IM Profile Adaptor DAA20059

## Load bearing matrix for add-on monitor posts

Maximum weight per monitor (kg)	Type D (short)	Type E (180 mm)	Type F (250mm)	Type G (360mm)
Height 400 1x single connector	6 kg	6 kg	6 kg	6 kg
Height 400 1x double connector	4 kg	4 kg	4 kg	4 kg
Height 700 2x single connector	6 kg	6 kg	4 kg	-

„-“ = combination not approved

**Attention:** Add-on monitor poles height 700 mm are not approved for use with double connectors!



### VESA Adapter Plates

- For adapting VESA 100/200 and VESA 200/200 threaded connections to VESA 75 and VESA 100
- Single adapter for monitors up to 12 kg
- Double adapter for monitors up to 24 kg on 2 Vesa 75/100 holders
- **Supply schedule**
  - 1 adapter plate
  - Mounting material
- **How supplied**
  - Flat-packed kit
- **Material**
  - Sheet steel
- **Finish**
  - Powder-coated, RAL 9006, white aluminum



W	H	Model	Order-no.	UP
220	220	Single	01.316.244.9	1 unit
501	250	Double	01.316.245.9	1 unit

### VESA Fast Change Plate

- Quick, tool-less monitor swap-out via spring balancer
- For adapting VESA 75/100 threaded connections
- With height adjustment holes
- Low installation depth – only 15 mm
- **Supply schedule**
  - 1 adapter plate
  - Mounting material
- **How supplied**
  - Flat-packed kit
- **Dimensions**
  - Width 130 mm
  - Height 170 mm
  - Depth 15 mm
- **Material**
  - Sheet steel
- **Finish**
  - Powder-coated, RAL 9006, white aluminum



ERG00040

W	H	D	Order-no.	UP
130	170	15	01.316.239.9	1 unit

**Dimensions in mm:** W = Width  
H = Height  
D = Depth  
h = Installation height  
d = Usable depth  
L = Length

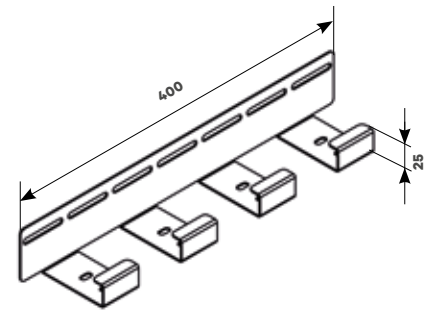
HEA = electronically height adjustable  
HA = height-adjustable

UP = Unit of packaging  
kg = Weight

**Conversion:** 1 inch = 25,4 mm  
Replace „x“ with the number of your color choice

### Cable Duct Functional Rail 25 mm

- For structured cabling at the monitor level
  - Finger design allows to let out cables exactly where needed
  - Simple, retrofittable installation grace to plastic quick locks
  - 400 mm elements, free placement
- **Material / Finish**
    - Sheetsteel, powder-coated texture, RAL9006
    - Plastic black
  - **Supply schedule**
    - 1 Cable duct segment
    - Mounting material
  - **How supplied**
    - flatpacked
  - **Please note**
    - Please also ask for matching brush strips for dust cover!



DAA20057

W	Type	Model	Order-no.	UP
400	25 mm	Functional rail	04.300.414.9	1 unit

### Accessories for Multi-Functional Rails

- Organizational elements, compatible design for Knürr multi-functional rails
  - 430 mm console – also perfect as telephone stand
- **Supply schedule**
    - 1x Organizational element
  - **How supplied**
    - Complete
  - **Material**
    - Sheet steel
  - **Finish**
    - Powder-coated, RAL 9006, white aluminum



Tray console 430 mm

DAC20091

Model	Order-no.	UP
Tray shelf DIN A4	04.300.400.9	1 unit
Box with note pad	04.303.103.9	1 unit
Tray console 430 mm	04.303.106.9	1 unit



Box with note pad DAC20089



Tray shelf DIN A4 DAC20082

### Cable Entry

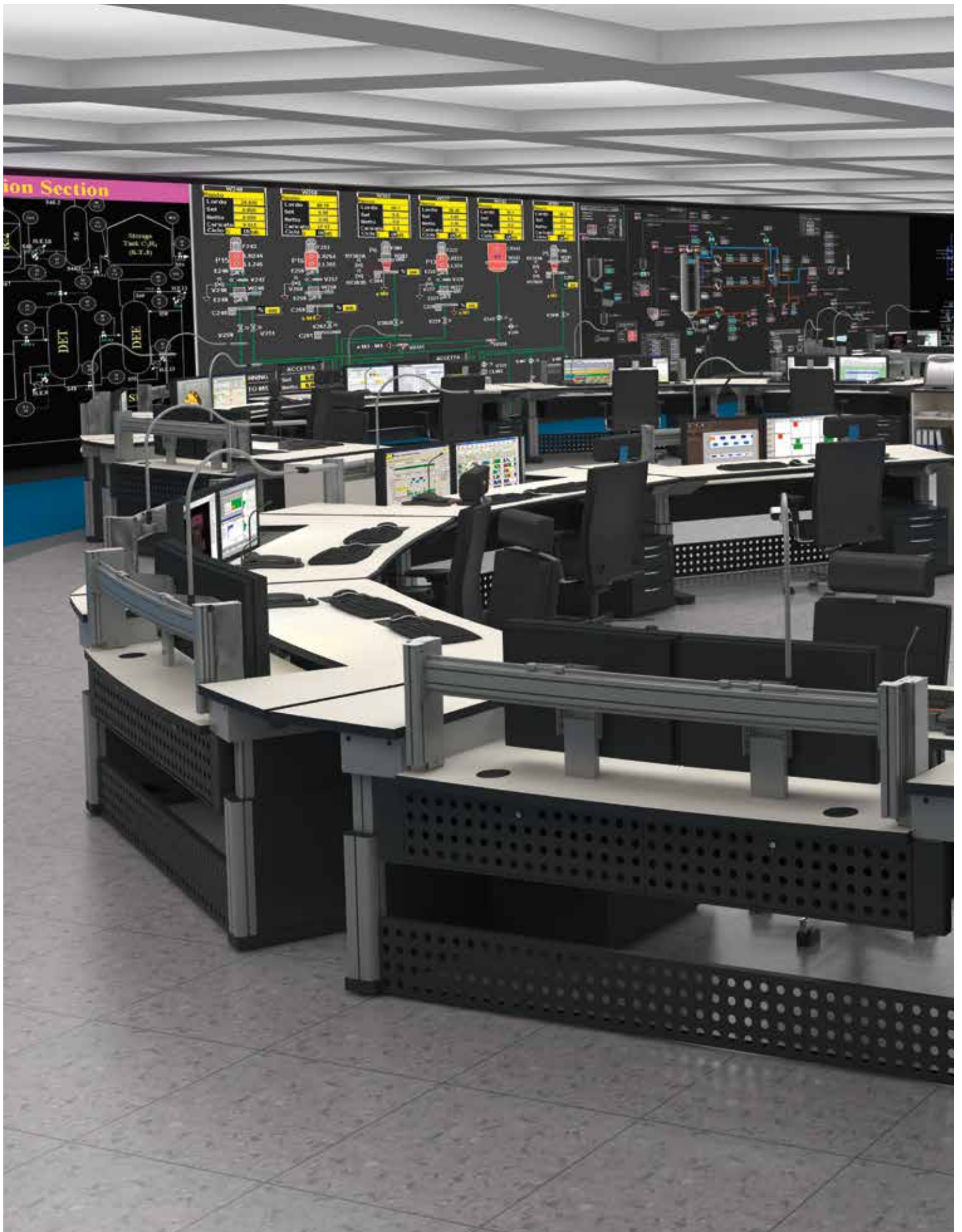
- Cable entry for additional or retro cable input and output installation
  - Type 1: 183 x 98 mm
  - Type 2: diameter 80 mm
- **Supply schedule**
    - 1 Cable entry, 3-piece

Finish	Model	Order-no.	UP
RAL 7035 light-grey	Type 1	01.350.156.1	1 unit
RAL 7035 light-grey	Type 2	01.350.145.1	1 unit
RAL 9011 graphite black	Type 1	01.350.156.5	1 unit
RAL 9011 graphite black	Type 2	01.350.145.5	1 unit



DAC00447





# MISCELLANEOUS ACCESSORIES

34 bis 37



Specific requirements?

**Contact us for your individual solutions!**

## Nano Cleaning Sponge

- Specific cleaning sponge made from melamine-resin foam for gentle yet effective Nano-surface cleaning
- To remove stains on bright Nano-surfaces rub with dry or moist sponge, applying gentle pressure
- Removes almost all types of stains

- **Supply schedule**
  - Set of 12 pieces
- **Note**
  - Sponges are unfit for human consumption. Abrasion dust: vacuum or clean with moist cloth. Test on unobtrusive position prior to use.

Type	Model	Order-no.	UP
Cleaning Sponge	White for Nano surfaces	01.350.570.9	1 set



ACC20030

## Personal Storage Drawer System for 24/7 Workstations

Full-extension drawer for personal storage tray during shift work

- Robust metal tray and drawer
- Drawer with integrated front handle
- During shift tray is stored in personal storage drawer and after work in the compartment cabinet



ACC20031

## Cabinet With Personal Storage Compartments for 24/7 Workstations

Valuable locker cabinet to secure personal storage trays after working hours

- Configurable and extendible for individual number of employees and tray size
- Available with individually lockable compartments or pigeon holes
- Finishes available from our extensive lines of office storage furniture



ACC20032

## Wireless Qi Charger Station

Charge any Qi-capable devices without cable or other accessories. Improved safety as no sockets or USB connectors are needed to charge company-provided or personal devices. Charger will be hidden mounted on underside of desktop.

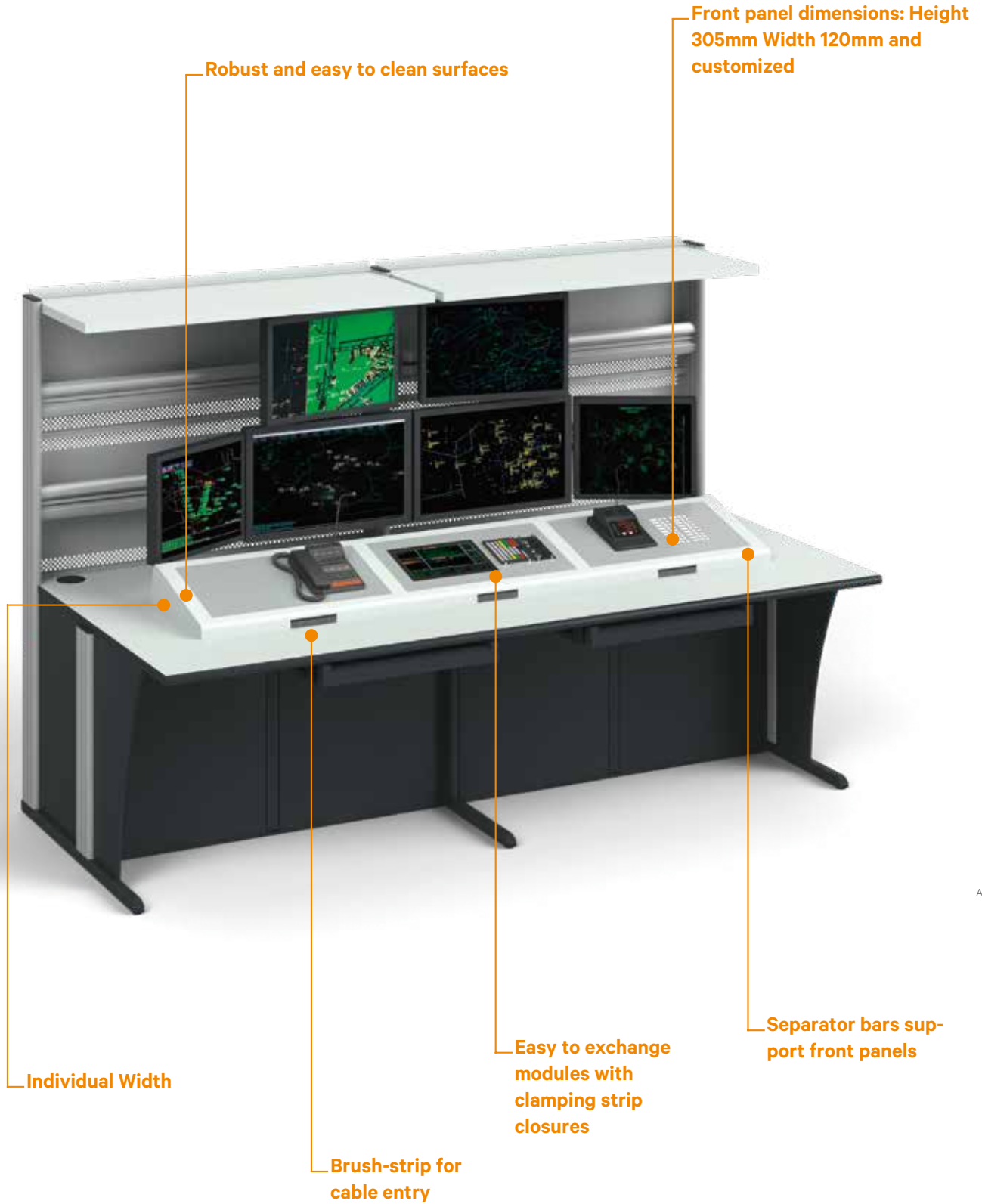
Simply place the device on the designated area of the surface to get it charged. Charging feedback comes from the device being charged. Designated surface area is marked by a discreet label.



ACC20033

## Knürr Console Pods

Configured to meet individual demands



ACC20035

## Knürr Console Pods

- **Console pod for modular front panels**

- Front panel modules from aluminum for installation of emergency switches, lamps, key-switches, display devices, telecom devices, microphones etc. Console pods are freely positionable on work surface and will be screw-fixed. Clamping rail system for front panels. Front panel height 305mm. Rear with brush strip for cable entry.

- **Material/Finish**

- Corpus: Three-layer particle board version FP/Y E1, fire-protection class B2, directly coated in worktop design
- Modular front panel, 19" frame insert: Aluminum, powder-coated.

- **Upon request**

- Front panel milled
- Additional finishes

- **Console pod for 19" front panels**

- Console pod with inclined top, screw-fit to work surface. Front panels fixed in 19" insert frame. Front panel height 3,5,6 or 8 HU (please order front panel separately). Rear with brush strip for cable entry.



Console pod for modular front panels

ACC20036



Console pod for modular front panels

ACC20037



Tilt adjustment for built-in monitors

ACC20039



Tailor-made display integration

ACC20040



Console pod for 19" front panels

ACC20038



ACC20041

# STAND-ALONE FURNISHING

38 bis 44



Find additional information in our brochure  
“Knürr Cabinets and Mobile Drawer Units”!

**Please feel free to contact us!**

## Partition Walls

### Partition systems

- Execution in monobloc-design
- Bell-touch- connection, multi-surfaced
- Wall thickness 40 mm
- Frame of aluminum profiles
- Floor distance 70 mm
- Height adjustment to 30 mm
- Screen, fabric covered blue (Scuba)
- Top cover, anodized aluminum
- Velcro, anthracite
- Ground free space = 70 mm
- Filling = fireclass B1
- Ecological standard 100
- 100% recyclable
- No chemicals (as flame retardants) contained
- Sound absorbing
- Sound absorbing according to DIN EN ISO 354

### In the frequencies

- 125 Hz as 0,12
- 250 Hz as 0,24
- 500 Hz as 0,51
- 1000 Hz as 0,80
- 2000 Hz as 0,95
- 4000 Hz as 0,95
- aw 0,50H

- Certificate DIN EN ISO 354

### Note

- Wall attachment with 2 table top clamps on one side of 30 mm worktop

W	H	Model	Order-no.	UP
800	1100	Partition wall	04.303.634.9	1 unit
1000	1100	Partition wall	04.303.635.9	1 unit
1200	1100	Partition wall	04.303.636.9	1 unit
1600	1100	Partition wall	04.303.637.9	1 unit
1800	1100	Partition wall	04.303.638.9	1 unit
2000	1100	Partition wall	04.303.639.9	1 unit
800	1600	Partition wall	04.303.644.9	1 unit
1000	1600	Partition wall	04.303.645.9	1 unit
1200	1600	Partition wall	04.303.646.9	1 unit
1600	1600	Partition wall	04.303.647.9	1 unit
1800	1600	Partition wall	04.303.648.9	1 unit
2000	1600	Partition wall	04.303.649.9	1 unit
800	480	Top wall	04.303.654.9	1 unit
1000	480	Top wall	04.303.655.9	1 unit
1200	480	Top wall	04.303.656.9	1 unit
1600	480	Top wall	04.303.657.9	1 unit
1800	480	Top wall	04.303.658.9	1 unit
2000	480	Top wall	04.303.658.9	1 unit

## Feet

### Note

- Feet RAL 9006 (white aluminum) must be ordered for your individual application purpose.

W	H	D	Model	Order-no.	UP
350	6	350	Plate foot total	04.303.664.9	1 unit
350	6	210	Plate foot half circle	04.303.665.9	1 unit
500	70	60	Stabilizer foot	04.303.667.9	1 unit
500	70	60	Stabilizer foot with casters	04.303.668.9	1 unit



Circular acoustic rear panels available upon request!

**Dimensions in mm:** W = Width  
H = Height  
D = Depth  
h = Installation height  
d = Useful depth  
L = Length

HU = Standard height unit, 1 HU = 44,45 mm  
19" = 482,6 mm,  
(ideal for 19" components in acc. with DIN 41494)  
UP = Unit of packaging  
kg = Weight

**Conversion:** 1 inch = 25,4 mm  
1 pound = 453,6 g

Replace „x“ with the number of your color choice



ACC20042



Standard color scubablue, please ask for further design colors



ACC20043



ACC20044



ACC20045

**Acoustic wall panels**

- Sound absorbing acoustic panel
  - Ultra light version in monoblock-design
  - Wall thickness 40 mm
  - Completely covered with fabric (fully upholstered)
  - Ecological standard 100 (100% recyclable)
  - No chemicals (as flame retardants) contained
  - Cover with fabric fire class B2 (fabric B1 on request)
  - Filler fire class B2
- **Color**
    - Standard colour: Tequila grey (fabric group 1) (Many other colours available on request)
- **Sound absorption coefficient according to DIN EN ISO 354**
    - In the frequencies
      - 125 Hz as 0,18
      - 250 Hz as 0,33
      - 500 Hz as 0,60
      - 1000 Hz as 0,69
      - 2000 Hz as 0,54
      - 4000 Hz as 0,80
    - Evaluated sound absorption coefficient aw 0.55 (H)
    - Test certificate DIN EN ISO 354
  - **Note**
    - Please order suitable mounting set for the respective bracket separately!

W	H	w	Model	Order-no.	UP
1600	520	1580	Knürr Ergocon	04.303.700.9	1 unit
2000	520	1980	Knürr Ergocon	04.303.701.9	1 unit
2400	520	2380	Knürr Ergocon	04.303.702.9	1 unit
600	450	590	Knürr Dacobas Adv.	04.303.710.9	1 unit
1200	450	1190	Knürr Dacobas Adv.	04.303.711.9	1 unit
1800	450	1790	Knürr Dacobas Adv.	04.303.712.9	1 unit
600	800	590	Knürr Dacobas Adv.	04.303.713.9	1 unit
1200	800	1190	Knürr Dacobas Adv.	04.303.714.9	1 unit
1800	800	1790	Knürr Dacobas Adv.	04.303.715.9	1 unit
Mounting kit Knürr Ergocon				04.303.697.7	1 unit
Mounting kit Knürr Dacobas Adv. H450				04.303.698.7	1 unit
Mounting kit Knürr Dacobas Adv. H800				04.303.699.7	1 unit



ACC20065



ACC20066



ACC20068



ACC20067



## Situation Desk / Meeting Desk as Operations Center during large-scale circumstances

- Individually electro-mechanically extendable monitor units, also with integrated keyboard drawers
- Built-in technical pedestal of high storage volume, with lockable doors for best access
- Cabling system, completely pre-installed for a safe power distribution
- With configurable socket modules
- Design tailored to the operations center consoles
- Scalable to individual projects
- Fully prepared and operational workstation



Extended unit with monitor holder and keyboard drawer

ACC20046



ACC20047

## Sliding Board Wall

- Sliding Board Wall in same design as furniture and operations center consoles
- Several versions:
  - White Board
  - Magnetic Board
- Cork Pin Board
- Optional: Sliding Board "Garage"
- Number, size and type of sliding boards as specified by project



Sliding Board Wall unit with magnetic white boards

ACC20048

## Enclosure for large Screen Installations

Several enclosure versions for the entire large-screen installation in consultation with the cube-wall manufacturer:

- Straight or curved
- Free-standing or fitted
- With built-in ventilation or connected to the existing climate control system
- Acoustically effective surfaces upon request
- Back side with lockable hinged doors



ACC20049



Enclosure back

**Dimensions in mm:** W = Width  
 H = Height  
 D = Depth  
 h = Installation height  
 d = Usable depth  
 L = Length

HEA = electronically height adjustable  
 HA = height-adjustable

UP = Unit of packaging  
 kg = Weight

**Conversion:** 1 inch = 25,4 mm

Replace „x“ with the number of your color choice

## Knürr Acoustics

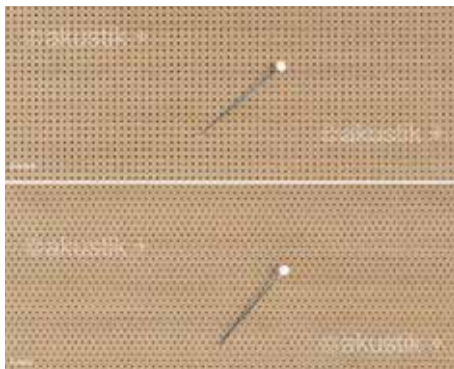
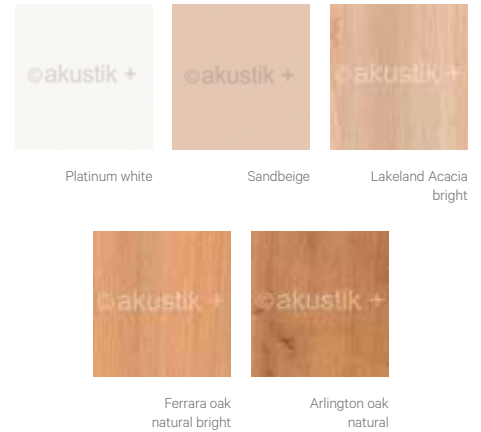
Interior fitting and acoustics solutions

**In the last two decades room acoustics became the central focus in interior design. We are happy to support you in all phases of the planning and realisation of your acoustics projects, either by phone or on site.**

- Versatile and flexible
- Ideal sound absorption
- Quick and easy to assemble
- Many versions immediately available
- Complete system includes substructure



### CPL/Melamine surfaces:



Large formats Panels available up to 3.5m length in several laminates, real wood veneers or painted. Tailor-made upon request.



Included are not only the panels but also the fitting substructure. Suitable for large walls and as acoustic retrofit for smaller rooms.



Slats The invinite-system can be flexibly fitted to all room situations and offer a modern, linear look. Choose from perforated or slotted elements.

**Technical properties of the materials used are certified by test- and classification reports and certificates from acknowledged international institutes.**

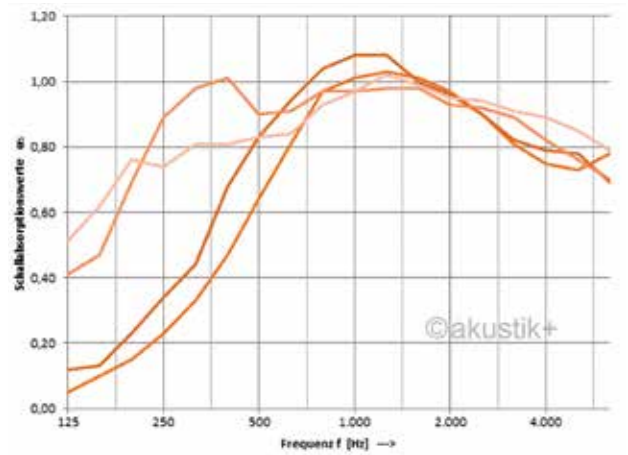
The products tests are carried out by independent experts (acoustic measures to DIN EN ISO 345 „Acoustics - Measurement of sound absorption in a reverberation room“) and mathematically evaluated after DIN EN ISO 11654. The frequency-dependent values of the sound absorption coefficient and

the single data (assessed sound absorption coefficient), NRC (Noise reduction Coefficient after ASTM C423) and SAA (Sound Absorption Average) after ASTM C423) are available upon request. Only proven emmison- low or free materials in use.

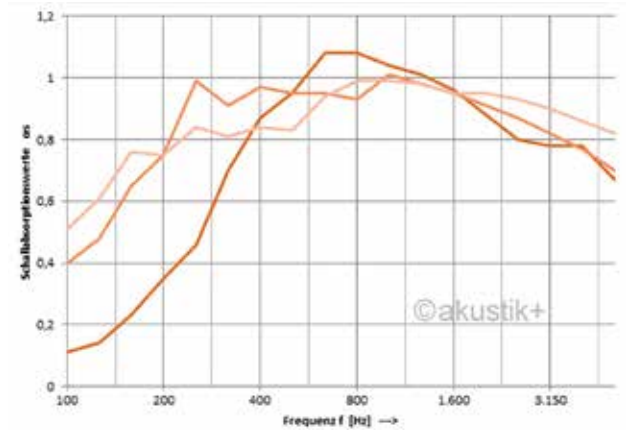




Sound absorption values of Perforation CLASSIC (1,8/1,8/0,5mm)



Sound absorption values of Perforation FINEST (1,8/1,8/0,5mm)



# POWER DISTRIBUTION AND SOCKET STRIPS

45 to 66



**POWER DISTRIBUTION**

- **Knürr DI-STRIP®**
- Classic **48**
- Compact **49**
- Protector FI **50**
- Protector LS **51**
- Protector FI / LS **52**
- Protector Emergency
- Stop **53**
- Protector Emergency
- Stop FI / LS **54**
- Power Cleaner **55**
- Safety Basic **56**
- Safety Standard **57**
- Master-Slave **58**
- Combi **59**
- D **60**
- I **61**
- Euro socket system
- IEC 320 **62**
- Power Distribution
- Accessories **63**

## DI-STRIP® – Socket Strips for Professional Applications

Robust PDUs with useful equipment features

The DI-STRIP product family meets a broad range of data center power distribution requirements for control centers, IT applications, computer networking, laboratories and office area.

Specially configured for the growing number of electronic components in control center consoles or 19" cabinets. Available with different accessories, such as circuit breakers, overvoltage protection, mains filter, master-slave function, emergency stop switch, fault-current circuit-breaker, local and remote power metering.

**Highest possible security and availability with:**

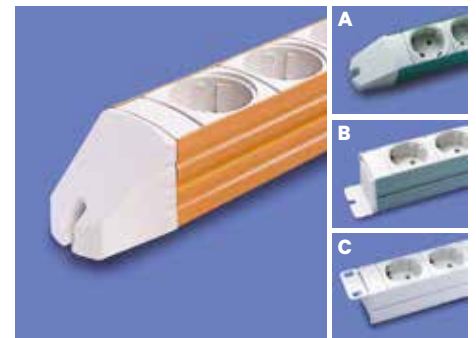
- Closed sheet-steel extrusions that deliver high stability and torsional flexibility
- Extensive certification compliant with the international Standard
- Double spring contacts for reliable and low contact resistance
- Optimal load monitoring (Only DI-STRIP versions D and I)

**Maximum flexibility attained due to:**

- Internationally compatible configurations and options
- Power cable lengths of 2,5 m for more spatial flexibility
- Rotating current indicator in 90° steps (only D and I DI-STRIP versions).



Reliable power distribution at full power delivered by full-length brass busbars



Can be fitted to a rack or workstation



Highly compact construction; minimizes space requirements in the rack

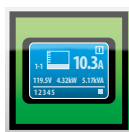


Cable Management for professional applications can be found in our brochure "19"-Solutions"



#### INPUT POWER

- Single-phase (1ph) or three-phase (3ph)
- Up to 22 kVA
- Simple input supply



#### LOCAL MONITORING

- Fixed display



#### OUTPUT DISTRIBUTOR

- NEMA 5-20R single-phase, IEC C13 and C19, combination systems
- Schuko, France, Switzerland



#### REMOTE MONITORING

- Secure Web and SNMP interfaces with Liebert Nform



#### MODULARITY

- More connectivity with expansion unit for GST18



#### OVERLOAD PROTECTION

- Circuit breakers/fuses per branching cable/output as required

DI-STRIP models	Functions	Input power	Outputs
Classic	Basic power distribution/extra large distance between the sockets	1 x 16 A 3.68 kVA	Schuko, France, Switzerland
Compact	Basic power distribution	16 A - 32 A / 1 ph 3.68 kVA - 7 kVA	Schuko, France, Switzerland
Protector FI	Fault-current circuit-breaker FI	1 x 16 A 3.68 kVA	Schuko, France, Switzerland
Protector LS	Circuit breaker (LS) FI	1 x 16 A 3.68 kVA	Schuko, France, Switzerland
Protector FI/LS	Combination FI + LS	1 x 16 A 3.68 kVA	Schuko, France, Switzerland
Protector Emergency Stop	Emergency stop switch	1 x 16 A 3.68 kVA	Schuko, France, Switzerland
Protector Emergency Stop FI/LS	Combination emergency stop + FI + LS	1 x 16 A 3.68 kVA	Schuko, France, Switzerland
Power Cleaner	Mains filter	1 x 16 A 3.68 kVA	Schuko, France
Safety Basic	Overvoltage protection	1 x 16 A 3.68 kVA	Schuko, France, Switzerland
Safety Standard	Mains filter + overvoltage protection	1 x 16 A 3.68 kVA	Schuko, France, Switzerland
Master Slave	Master Slave	1 x 16 A 3.68 kVA	Schuko, France
Combi	Combination Master Slave + overvoltage protection + mains filter	1 x 16 A 3.68 kVA	Schuko, France
D	Input measurement, local	16 A - 32 A / 1 ph and 3 ph 3.68 kVA - 22 kVA	IEC60320 C13 & C19 & Schuko
I	Input measurement, local + remote	16 A - 32 A / 1 ph and 3 ph 3.68 kVA - 22 kVA	IEC60320 C13 & C19 & Schuko
Euro socket system IEC 320	Basic power distribution	16 A - 32 A / 1 ph 3.68 kVA - 7 kVA	IEC60320 C13 & C19

## Knürr DI-STRIP® Classic



DOS00403

- Optionally with illuminated switch; 2-pole switching
  - Socket rotation: 45°
  - Feed cable: H05VV-F 3G 1.5 mm<sup>2</sup>
  - Optionally with Euro plug, IEC320 for UPS application
- **Material / Finish**
    - Housing: closed sheet steel extrusion, zinc-passivated, powder-coated texture
    - Plastic parts: Vampamid 6 0024 VO (UL94)
    - Internal conductor: full-length busbars, brass
  - **Dimensions**
    - Distance between sockets: 100 mm
    - Height: 45.5 mm
    - Width of housing: 44.4 mm (= 1 U)
    - Feed cable: 2.5 m
  - **Approvals/certificates**
    - CE label in accordance with:
      - Low Voltage Directive 2014/35/EU
      - EMC Directive 2014/30/EU
      - RoHS Directive 2011/65/EG
    - Bureau-Veritas BG – Certificate (Factory Inspection)
    - Bureau-Veritas CB – Certificate
    - VDE-GS – Certificate
  - **Color**
    - Final digit of order number .1:**
      - RAL 7035, light-grey
    - Final digit of order number .6:**
      - housing RAL 2003 pastel orange
    - Plastic parts:**
      - RAL 7035, light-grey
  - **Load rating**
    - 100-240 V AC/16 A (output Schuko and UTE)
    - 100-240 V AC/10A (outputs Switzerland)
  - **Scope of delivery**
    - 1 x socket strip
    - 2 x mounting brackets

DI-STRIP model	Input Values		Input Connector	Outputs				L	S	F1	F2	19"	Safe	Order no.
	Voltage	Current		INT. C13	INT. C19	D Schuko	F UTE							
	230V	16 A	Schuko CEE7/7			17		1783	•					03.300.067.X
	230V	16 A	Schuko CEE7/7			13		1383	•					03.300.063.X
	230V	16 A	Schuko CEE7/7			9		983	•					03.300.059.X
	230V	16 A	Schuko CEE7/7			5		583	•					03.300.055.X
	230V	16 A	Schuko CEE7/7			16		1733	•	•				03.302.066.X
	230V	16 A	Schuko CEE7/7			12		1333	•	•				03.302.062.X
	230V	16 A	Schuko CEE7/7			8		933	•	•				03.302.058.X
	230V	16 A	Schuko CEE7/7			4		533	•	•				03.302.054.X
	230V	16 A	Schuko CEE7/7				13	1383	•			•		03.400.063.X
	230V	16 A	Schuko CEE7/7				9	983	•			•		03.400.059.X
	230V	16 A	Schuko CEE7/7				5	583	•			•		03.400.055.X
	230V	16 A	Schuko CEE7/7				8	933	•	•		•		03.402.058.X
	230V	10 A	SEV 1011 T12				13	1383	•					03.701.063.1
	230V	10 A	SEV 1011 T12				9	983	•					03.701.059.1
	230V	10 A	SEV 1011 T12				5	583	•					03.701.055.1
	230V	10 A	SEV 1011 T12				16	1733	•	•				03.703.066.1
	230V	10 A	SEV 1011 T12				8	933	•	•				03.703.058.1

**Outputs**

C13	= IEC60320 C13	Type 13	= Switzerland, type 13	F2	= Design side panel (for installing at workstation)
C19	= IEC60320 C19	L	= Length in mm	19"	= Suitable for 19" installation
Schuko	= Protective contact plug DIN 49440	S	= Switch	safe	= Protected contacts
UTE	= France Standard CEE 7-V	F1	= Standard side pane (for rack mounting)		



## Knürr DI-STRIP<sup>®</sup> Compact

- Optionally with illuminated switch; 2-pole switching
  - 19" installation option (for length 483 mm)
  - 2 versions: standard side panel or design side panel
  - Socket rotation: 45°
  - Feed cable: H05VV-F 3G 1.5 mm<sup>2</sup>
  - Molded right angle plug
  - Optionally with Euro plug, IEC320 for UPS applications
- **Material / Finish**
    - Housing: closed sheet steel extrusion, zinc-passivated, powder-coated texture
    - Plastic parts: Vampamid 6 0024 VO (UL94), recyclable
    - Internal conductor: full-length busbars, brass
  - **Dimensions**
    - Distance between sockets: 50 mm
    - Height: 45.5 mm
    - Width of housing: 44.4 mm (= 1 U)
    - Feed cable: 2.5 m

- **Approvals/certificates**
  - CE label in accordance with:
    - Low Voltage Directive 2014/35/EU
    - EMC Directive 2014/30/EU
    - RoHS Directive 2011/65/EG
  - Bureau-Veritas BG – Certificate (Factory Inspection)
  - Bureau-Veritas CB – Certificate
  - VDE-GS – Certificate
- **Color combination**
  - Final digit of order number .1:**
    - RAL 7035, light-grey
  - Final digit of order number .6:**
    - housing RAL 2003 pastel orange
  - Plastic parts:**
    - RAL 7035, light-grey
- **Load rating**
  - 100-240 V AC/16 A (output Schuko and UTE)
  - 100-240 V AC/10 A (outputs Switzerland)
- **Scope of delivery**
  - 1 x socket strip
  - 2 x mounting brackets



with switch.

DO500401

DI-STRIP model	Input Values		Input Connector	Outputs				L	S	F1	F2	19"	Safe	Order no.
	Voltage	Current		INT. C13	INT. C19	D Schuko	F UTE							
	230V	16 A	Schuko CEE7/7			15		883	•					03.300.015.X
	230V	16 A	Schuko CEE7/7			11		732		•				03.300.111.X
	230V	16 A	Schuko CEE7/7			11		683	•					03.300.011.X
	230V	16 A	Schuko CEE7/7			7		532		•				03.300.107.X
	230V	16 A	Schuko CEE7/7			7		483	•		•			03.300.007.X
	230V	16 A	Schuko CEE7/7			8		483	•		•			03.300.008.1
	230V	16 A	Schuko CEE7/7			4		382		•				03.300.104.X
	230V	16 A	Schuko CEE7/7			4		333	•					03.300.004.X
	230V	16 A	Schuko CEE7/7			14		883	•	•				03.302.014.X
	230V	16 A	Schuko CEE7/7			10		732	•		•			03.302.110.X
	230V	16 A	Schuko CEE7/7			10		683	•	•				03.302.010.X
	230V	16 A	Schuko CEE7/7			6		532	•		•		•	03.303.106.X
	230V	16 A	Schuko CEE7/7			6		532	•	•	•			03.302.106.X
	230V	16 A	Schuko CEE7/7			6		483	•	•		•		03.302.006.X
	230V	16 A	Schuko CEE7/7			7		483	•	•		•		03.302.007.1
	230V	16 A	Schuko CEE7/7			3		382	•		•			03.302.103.X
	230V	16 A	Schuko CEE7/7			3		333	•	•				03.302.003.X
UPS application	230V	10 A	IEC60320 Sheet I			8		483	•		•			03.300.308.1
	230V	16 A	IEC60320 C20			8		483	•		•			03.300.408.1
	230V	16 A	GST18			6		583	•	•				03.302.206.1
	230V	16 A	GST18			3		433	•	•				03.302.203.1
	230V	16 A	GST18			7		533	•					03.300.207.1
	230V	16 A	GST18			4		383	•					03.300.204.1
	230V	16 A	Schuko CEE7/7				11	683	•				•	03.400.011.X
	230V	16 A	Schuko CEE7/7				7	532		•	•		•	03.400.107.X
	230V	16 A	Schuko CEE7/7				7	483	•		•		•	03.400.007.X
	230V	16 A	Schuko CEE7/7				4	333	•				•	03.400.004.X

DI-STRIP model	Input Values		Input Connector	Outputs				L	S	F1	F2	19"	Safe	Order no.
	Voltage	Current		INT. C13	INT. C19	D Schuko	F UTE							
<b>Compact</b>														
	230V	16 A	Schuko CEE7/7				10	683	•	•		•		03.402.010.X
	230V	16 A	Schuko CEE7/7				6	483	•	•	•	•		03.402.006.X
	230V	16 A	Schuko CEE7/7				3	333	•	•		•		03.402.003.X
	230V	16 A	GST18				7	533	•			•		03.400.207.1
	230V	16 A	GST18				4	383	•			•		03.701.011.1
	230V	10 A	SEV 1011 T12					683	•					03.701.007.1
	230V	10 A	SEV 1011 T12				7	483	•		•			03.701.004.1
	230V	10 A	SEV 1011 T12				4	333	•					03.703.110.1
	230V	10 A	SEV 1011 T12				10	732	•		•			03.703.110.1
	230V	10 A	SEV 1011 T12				6	483	•	•	•			03.703.006.1
	230V	10 A	SEV 1011 T12				3	382	•		•			03.703.103.1
	230V	10 A	SEV 1011 T12				3	333	•	•				03.703.003.1

## Knürr DI-STRIP® Protector FI

### Protector FI

- Fault-current circuit breaker for user protection
- Protection against indirect contact by disconnection of the circuit when inadmissibly high contact voltage occurs through bodily contact with electrical equipment
- Additional protection against direct contact
- Residual operating current I<sub>g</sub> = 10 mA for alternating and pulsating direct fault currents
- 19" installation option (for length 483 mm).
- Socket rotation: 45°
- Feed cable: H05VV-F 3G 1.5 mm<sup>2</sup>
- Molded right angle plug

### Material/ Finish

- Housing: closed sheet steel extrusion, zinc-passivated, powder-coated texture
- Plastic parts: Vampamid 6 0024 VO (UL94), recyclable
- Internal conductor: full-length busbars, brass

### Dimensions

- Distance between sockets: 50 mm.
- Height: 78 mm
- Width of housing: 44.4 mm (= 1 U)
- Feed cable: 2.5 m

### Approvals/certificates

- CE label in accordance with:
  - Low Voltage Directive 2014/35/EU
  - EMC Directive 2014/30/EU
  - RoHS Directive 2011/65/EG
- Bureau-Veritas BG – Certificate (Factory Inspection)
- Bureau-Veritas CB – Certificate

### Color combination

- **Final digit of order number .1:**
  - RAL 7035, light-grey
- **Plastic parts:**
  - RAL 7035, light grey

### Load rating

- 100–240 V AC/16 A

### Scope of delivery

- 1 x socket strip
- 2 x mounting brackets



with FI circuit breaker

DOS20065

DI-STRIP model	Input Values		Input Connector	Outputs				L	S	F1	F2	19"	Safe	Order no.
	Voltage	Current		INT. C13	INT. C19	D Schuko	F UTE							
	230V	16 A	Schuko CEE7/7				13	883		•				03.304.013.1
	230V	16 A	Schuko CEE7/7				9	683		•				03.304.009.1
	230V	16 A	Schuko CEE7/7				5	483		•	•			03.304.005.1
	230V	16 A	Schuko CEE7/7				5	483		•	•	•		03.404.005.1

### Outputs

C13	= IEC60320 C13	Type 13	= Switzerland, type 13	F2	= Design side panel (for installing at workstation)
C19	= IEC60320 C19	L	= Length in mm	19"	= Suitable for 19" installation
Schuko	= Protective contact plug DIN 49440	S	= Switch	safe	= Protected contacts
UTE	= France Standard CEE 7-V	F1	= Standard side pane (for rack mounting)		

## Knürr DI-STRIP<sup>®</sup> Protector LS

### Protector LS

- Circuit breaker for overload and short circuit
- Protects cables and lines by switching off rapidly in the event of a short circuit and defined delayed switch-off when overloads occur
- Circuit breaker: 16 A
- Trip characteristics: type B, 2-pole
- 19° installation option (for length 483 mm)
- Socket rotation: 45°
- Feed cable: H05VV-F 3G 1.5 mm<sup>2</sup>
- Molded right angle plug

### Material/ Finish

- Housing: closed sheet steel extrusion, zinc-passivated, powder-coated texture
- Plastic parts: Vampamid 6 0024 VO (UL94), recyclable
- Internal conductor: full-length busbars, brass

### Dimensions

- Distance between sockets: 50 mm
- Height: 78 mm
- Width of housing: 44.4 mm (= 1 U)
- Feed cable: 2.5 m

### Approvals/certificates

- CE label in accordance with:
  - Low Voltage Directive 2014/35/EU
  - EMC Directive 2014/30/EU
  - RoHS Directive 2011/65/EG
- Bureau-Veritas BG – Certificate (Factory Inspection)
- Bureau-Veritas CB – Certificate
- VDE-GS – Certificate

### Color combination

#### Final digit of order number .1:

- RAL 7035, light-grey
- Plastic parts:**
  - RAL 7035, light grey

### Load rating

- 100–240 V AC/16 A

### Scope of delivery

- 1 x socket strip
- 2 x mounting brackets



with circuit breaker

DOS00692

DI-STRIP model	Input Values		Input Connector	Outputs					L	S	F1	F2	19°	Safe	Order no.
	Voltage	Current		INT. C13	INT. C19	D Schuko	F UTE	CH Type 13							
	230V	16 A	Schuko CEE7/7			13			883		•				03.308.013.1
	230V	16 A	Schuko CEE7/7			9			683		•				03.308.009.1
	230V	16 A	Schuko CEE7/7			5			483		•	•			03.308.005.1
	230V	16 A	Schuko CEE7/7				5		483		•	•	•		03.408.005.1

## Knürr DI-STRIP® Protector FI / LS



DOS00693

### Protector FI / LS

- Fault current switch and circuit breaker.
- Provides a combination of user, overload and short circuit protection
- Residual operating current I<sub>g</sub> = 30 mA for alternating and pulsating direct fault currents
- Circuit breaker 16 A (Schuko and France) / 10A (Switzerland)
- Trip characteristics, type B, 2-pole
- 19" installation option (for length 483 mm)
- Socket rotation: 45°
- Feed cable: H05VV-F 3G 1.5 mm<sup>2</sup>
- Molded right angle plug

### Material / Finish

- Housing: closed sheet steel extrusion, zinc-passivated, powder-coated texture
- Plastic parts: Vampamid 6 0024 VO (UL94), recyclable
- Internal conductor: full-length busbars, brass

### Dimensions

- Distance between sockets: 50 mm
- Height: 78 mm
- Width of housing: 44.4 mm (= 1 U)
- Feed cable: 2.5 m

### Approvals/certificates

- CE label in accordance with:
  - Low Voltage Directive 2014/35/EU
  - EMC Directive 2014/30/EU
  - RoHS Directive 2011/65/EG
- Bureau-Veritas BG – Certificate (Factory Inspection)
- Bureau-Veritas CB – Certificate

### Color combination

#### Final digit of order number :1:

- RAL 7035, light-grey

#### Plastic parts:

- RAL 7035, light-grey

### Load rating

- 100–240 V AC/16 A (Schuko and France)
- 100–240 V AC/10 A (Switzerland)

### Scope of delivery

- 1 x socket strip
- 2 x mounting brackets

DI-STRIP model	Input Values		Input Connector	Outputs				L	S	F1	F2	19"	Safe	Order no.
	Voltage	Current		INT. C13	INT. C19	D Schuko	F UTE							
	230V	16 A	Schuko CEE7/7			13		883		•				03.310.013.1
	230V	16 A	Schuko CEE7/7			9		683		•				03.310.009.1
	230V	16 A	Schuko CEE7/7			5		483		•	•			03.310.005.1
	230V	16 A	Schuko CEE7/7				9	683		•		•		03.410.009.1
	230V	16 A	Schuko CEE7/7				5	483		•	•	•		03.410.005.1
	230V	10 A	SEV 1011 T12				5	483		•	•			03.711.005.1

### Outputs

C13	= IEC60320 C13	Type 13	= Switzerland, type 13	F2	= Design side panel (for installing at workstation)
C19	= IEC60320 C19	L	= Length in mm	19"	= Suitable for 19" installation
Schuko	= Protective contact plug DIN 49440	S	= Switch	safe	= Protected contacts
UTE	= France Standard CEE 7-V	F1	= Standard side pane (for rack mounting)		

## Knürr DI-STRIP® Protector Emergency Stop

- With 2-pole emergency stop switch for user protection
  - For manually disconnecting consumers in an emergency
  - Phase and neutral conductors are separated safely
  - Switch must be intentionally unlocked to restart
  - 19" installation option (for length 483 mm).
  - Socket rotation: 45°
  - Feed cable: H05VV-F 3G 1.5 mm<sup>2</sup>
  - Molded right angle plug
- **Material / Finish**
    - Housing: closed sheet steel extrusion, zinc-passivated, powder-coated texture
    - Plastic parts: Vampamid 6 0024 VO (UL94), recyclable
    - Internal conductor: full-length busbars, brass
  - **Dimensions**
    - Distance between sockets: Classic: 100 mm, Compact: 50 mm
    - Height: 101 mm
    - Width of housing: 44.4 mm (= 1 U)
    - Feed cable: 2.5 m

- **Approvals/certificates**
  - CE label in accordance with:
    - Low Voltage Directive 2014/35/EU
    - EMC Directive 2014/30/EU
    - RoHS Directive 2011/65/EG
  - Bureau-Veritas BG – Certificate (Factory Inspection)
  - Bureau-Veritas CB – Certificate
- **Color combinations**
  - **Final digit of order number .1:**
    - RAL 7035, light grey
  - **Plastic parts:**
    - RAL 7035, light grey
- **Load rating**
  - 100–240 V AC/16 A
- **Scope of delivery**
  - 1 x socket strip
  - 2 x mounting brackets



DOS20059

DI-STRIP model	Input Values		Input Connector	Outputs				L	S	F1	F2	19"	Safe	Order no.
	Voltage	Current		INT. C13	INT. C19	D Schuko	F UTE							
<b>Compact</b>														
	230V	16 A	Schuko CEE7/7		6			483						03.326.006.1
	230V	16 A	Schuko CEE7/7				10	683						03.426.010.1

## Knürr DI-STRIP® Protector Emergency Stop FI /LS



DOS00456

- With 2-pole emergency stop switch for user protection
  - For protecting operating personnel
  - For manually disconnecting consumers in an emergency
  - Phase and neutral conductors are separated safely
  - Switch must be intentionally unlocked to restart
  - Socket rotation: 45°
  - Feed cable: H05VV-F 3G 1.5 mm<sup>2</sup>
  - Molded right angle plug
- **Material/ Finish**
    - Housing: closed sheet steel extrusion, zinc-passivated, powder-coated texture
    - plastic parts: Vampamid 6 0024 VO (UL94), recyclable
    - Internal conductor: full-length busbars, brass
  - **Dimensions**
    - Distance between sockets: Compact: 50 mm
    - Height: 101 mm
    - Width of housing: 44.4 mm (= 1 U)
    - Feed cable: 2,5 m
  - **Approvals/certificates**
    - CE label in accordance with:
      - Low Voltage Directive 2014/35/EU
      - EMC Directive 2014/30/EU
      - RoHS Directive 2011/65/EG
    - Bureau-Veritas BG – Certificate (Factory Inspection)
    - Bureau-Veritas CB – Certificate
  - **Color combinations**
    - **Final digit of order number .1:**
      - RAL 7035, light-grey
    - **Plastic parts:**
      - RAL 7035, light-grey
  - **Additionally:**
    - With 2-pole fault-current switch and circuit breaker
    - Provides a combination of user, overload and short circuit protection
  - **Load rating**
    - 100–240 V AC/16 A
  - **Scope of delivery**
    - 1 x socket strip
    - 2 x mounting brackets

DI-STRIP model	Input Values		Input Connector	Outputs						L	S	F1	F2	19"	Safe	Order no.
	Voltage	Current		INT. C13	INT. C19	D Schuko	F UTE	CH Type 13	CH Type 23							
	230V	16 A	Schuko CEE7/7		8					683		•				03.328.008.1

### Outputs

C13	= IEC60320 C13	Type 13	= Switzerland, type 13	F2	= Design side panel (for installing at workstation)
C19	= IEC60320 C19	L	= Length in mm	19"	= Suitable for 19" installation
Schuko	= Protective contact plug DIN 49440	S	= Switch	safe	= Protected contacts
UTE	= France Standard CEE 7-V	F1	= Standard side pane (for rack mounting)		

## Knürr DI-STRIP® Power Cleaner



DOS20061

- High-frequency glitches generally occur in switching processes ranging from 100 kHz to 5 MHz. This high-frequency rate overloads the mains frequency and affects adjacent electronic equipment. The mains filter attenuates this high-frequency rate
  - The attenuation behavior is harmonized with the typical interference spectrum
  - The mains filter works in both directions: where glitches from the equipment to the socket strip are also filtered from the mains
  - 19" installation option (for length 483 mm)
  - Socket rotation: 45°
  - Feed cable: H05VV-F 3G 1.5 mm<sup>2</sup>
  - Molded right angle plug
- **Material / Finish**
    - Housing: closed sheet steel extrusion, zinc-passivated, powder-coated texture
    - Plastic parts: Vampamid 6 0024 VO (UL94), recyclable
    - Internal conductor: full-length busbars, brass
  - **Dimensions**
    - Distance between sockets: 50 mm
    - Height: 45.5 mm
    - Width of housing: 44.4 mm (= 1 U)
    - Feed cable: 2.5 m
  - **Approvals/certificates**
    - CE label in accordance with:
      - Low Voltage Directive 2014/35/EU
      - EMC Directive 2014/30/EU
      - RoHS Directive 2011/65/EG
    - Bureau-Veritas BG – Certificate (Factory Inspection)
    - Bureau-Veritas CB – Certificate
  - **Color combination**
    - **Final digit of order number .1:**
      - RAL 7035, light-grey
    - **Final digit of order number .6:**
      - housing RAL 2003 pastel orange
    - **Plastic parts:**
      - RAL 7035, light-grey
  - **Technical data**
    - Nominal voltage: max. 250 V AC, 50 Hz
    - Nominal current, max. 16 A
    - Filter compliant with VDE 0565-3 (EN 60939-1)
  - **Scope of delivery**
    - 1 x socket strip
    - 2 x mounting brackets
    - 2 x 19" mounting brackets (additionally with 19" installation option)
  - **Note**
    - Use only at mains frequency 50Hz!

DI-STRIP model	Input Values		Input Connector	Outputs						L	S	F1	F2	19"	Safe	Order no.
	Voltage	Current		INT. C13	INT. C19	D Schuko	F UTE	CH Type 13	CH Type 23							
	230V	16 A	Schuko CEE7/7			13				883		•				03.312.013.X
	230V	16 A	Schuko CEE7/7			9				683		•				03.312.009.X
	230V	16 A	Schuko CEE7/7			5				483		•	•			03.312.005.X
	230V	16 A	GST18	6						483		•	•			03.612.206.1

## Knürr DI-STRIP® Safety Basic

- For protection against transient overvoltage from the mains, which, for example, are caused by switching machines on and off
  - When critical overvoltages occur, the connection to the mains is cut off
  - Once the protective conductor has been triggered, the green function display light is not illuminated. Thus, the socket strip can no longer be used.\*
  - Basic equipment protection is classified as class 3 (category D)
  - For optimal protection, class 1 and 2 (categories B and C) protective equipment must be installed in the building
  - 19" installation option (for length 483 mm)
  - Socket rotation: 45°
  - Feed cable: H05VV-F 3G 1.5 mm<sup>2</sup>
  - Molded right angle plug
- **Material / Finish**
    - Housing: closed sheet steel extrusion, zinc-passivated, powder-coated texture
    - plastic parts: Vampamid 6 0024 VO (UL94), recyclable
    - Internal conductor: full-length busbars, brass
  - **Dimensions**
    - Distance between sockets: 50 mm
    - Height: 45.5 mm
    - Width of housing: 44.4 mm (= 1 U)
    - Power cable 2.5m

- **Approvals/certificates**
  - CE label in accordance with:
    - Low Voltage Directive 2014/35/EU
    - EMC Directive 2014/30/EU
    - RoHS Directive 2011/65/EG
  - Bureau-Veritas BG – Certificate (Factory Inspection)
  - Bureau-Veritas CB – Certificate
- **Color combination**
  - Final digit of order number .1:**
    - RAL 7035, light-grey
  - Final digit of order number .6:**
    - housing RAL 2003 pastel orange
  - Plastic parts:**
    - RAL 7035, light-grey
- **Technical data**
  - Appliance class: Type 3 as per DIN EN 61643-11
  - Requirement class: category D as per VDE 0675-6
  - Mains voltage: 230 VAC
  - Nominal current, max. 16 A
  - Discharge surge current (8/20 s): 10 kA
  - Reaction time: < 25 ns
  - Safety level (at 100 A varistor peak current): L with respect to N: < 800 V, L / N with respect to PE: < 1500 V
- **Scope of delivery**
  - 1 x socket strip
  - 2 x mounting brackets



with overvoltage protection

DOS20068

\* Send the socket strip to the manufacturer for the protective conductor to be replaced!

DI-STRIP model	Input Values		Input Connector	Outputs					L	S	F1	F2	19"	Safe	Order no.
	Voltage	Current		INT. C13	INT. C19	D Schuko	F UTE	CH Type 13							
	230V	16 A	Schuko CEE7/7			10				732		•			03.316.110.1
	230V	16 A	Schuko CEE7/7			10				683	•				03.316.010.X
	230V	16 A	Schuko CEE7/7			6				483	•	•			03.316.006.X
	230V	16 A	Schuko CEE7/7			4				383	•				03.316.004.1
	230V	16 A	GST18			4				433	•				03.316.204.1
	230V	16 A	GST18	6						483	•	•			03.616.206.1
	230V	16 A	Schuko CEE7/7				6			483	•	•	•		03.416.006.1

### Outputs

C13	= IEC60320 C13	Type 13	= Switzerland, type 13	F2	= Design side panel (for installing at workstation)
C19	= IEC60320 C19	L	= Length in mm	19"	= Suitable for 19" installation
Schuko	= Protective contact plug DIN 49440	S	= Switch	safe	= Protected contacts
UTE	= France Standard CEE 7-V	F1	= Standard side pane (for rack mounting)		



## Knürr DI-STRIP® Safety Standard

- Standard safety models consist of a combined overvoltage protection/mains filter element
- Protects against transient overvoltages from the mains, which, for example, are caused by switching machines on and off
- When critical overvoltages occur, connection to the mains is cut off
- Once the protective conductor has been triggered, the green function display light is not illuminated. The socket strip can thus no longer be used.\*
- Basic equipment protection is classified as class 3 (category D)
- For optimal protection, class 1 and 2 (categories B and C) protective equipment must be installed in the building
- High-frequency glitches are generally caused by switching processes in an operation from 100 kHz to 5MHz
- This high-frequency rate overloads the mains frequency and affects adjacent electronic equipment. The mains filter attenuates this high-frequency rate
- The attenuation behavior is harmonized with the typical interference spectrum
- 19" installation option (for length 483 mm)
- Socket rotation: 45°
- Feed cable: HO5VV-F 3G 1.5 mm<sup>2</sup>
- Molded right angle plug

### Material/ Finish

- Housing: closed sheet steel extrusion, zinc-passivated, powder-coated texture
- Plastic parts: Vampamid 6 0024 VO (UL94), recyclable
- Internal conductor: full-length busbars, brass

### Dimensions

- Distance between sockets: 50 mm
- Height: 45.5 mm
- Width of housing: 44.4 mm (= 1 U)
- Feed cable: 2.5 m

### Approvals/certificates

- CE label in accordance with:
  - Low Voltage Directive 2014/35/EU
  - EMC Directive 2014/30/EU
  - RoHS Directive 2011/65/EG
- Bureau-Veritas BG – Certificate (Factory Inspection)
- Bureau-Veritas CB – Certificate

### Color combination

- **Final digit of order number .1:**
  - RAL 7035, light-grey
- **Final digit of order number .6:**
  - housing RAL 2003 pastel orange
- **Plastic parts:**
  - RAL 7035, light-grey

### Technical data

- Mains voltage: 230 VAC
- Nominal current: max. 16 A / 10 A
- Discharge surge current (8/20 s): 10 kA
- Reaction time: < 25 ns
- Safety level (at 100 A varistor peak current):
  - L with respect to N: < 800 V, L / N with respect to PE: < 1500 V
- Overvoltage protection
- Appliance class: Class 3 – as per DIN EN 61643-11
- Requirement class: Category D as per VDE 0675-6
- Mains filter: as per VDE 0565 (EN 60939)

### Scope of delivery

- 1 x socket strip
- 2 x mounting brackets



DOS20069

\* Send the socket strip to the manufacturer for the safety arrester to be replaced!

DI-STRIP model	Input Values		Input Connector	Outputs				L	S	F1	F2	19"	Safe	Order no.
	Voltage	Current		INT. C13	INT. C19	D Schuko	F UTE							
	230V	16 A	Schuko CEE7/7			13		883	•	•				03.318.013.X
	230V	16 A	Schuko CEE7/7			9		732	•		•			03.318.109.X
	230V	16 A	Schuko CEE7/7			9		683	•	•				03.318.009.X
	230V	16 A	Schuko CEE7/7			5		532	•		•			03.318.105.X
	230V	16 A	Schuko CEE7/7			5		483	•	•		•		03.318.005.X
	230V	16 A	GST18	6				483		•		•		03.618.206.1
	230V	16 A	Schuko CEE7/7				5	483	•	•		•	•	03.418.005.X
	230 V	10 A	SEV 1011 T12				5	483	•	•		•		03.719.005.1

## Knürr DI-STRIP® Master-Slave



DOS20070

- Slave plugs will switch on if master switches on
- Note:
  - The master consumer's power intake must always exceed the switch-on threshold. When switching off the master consumer, the power intake must fall below the switch-off threshold.
  - 19" installation option (for length 483 mm)
  - Socket rotation: 45°
  - Feed cable: H05VV-F 3G 1.5 mm²
  - Molded right angle plug
- **Material / Finish**
  - Housing: closed sheet steel extrusion, zinc-passivated, powder-coated texture
  - Plastic parts: Vampamid 6 0024 VO (UL94), recyclable
  - Internal conductor: full-length busbars, brass
- **Dimensions**
  - Distance between sockets: 50 mm
  - Height: 45.5 mm
  - Width of housing: 44.4 mm (= 1 U)
  - Feed cable: 2.5 m
- **Approvals/certificates**
  - CE label in accordance with:
    - Low Voltage Directive 2014/35/EU
    - EMC Directive 2014/30/EU
    - RoHS Directive 2011/65/EG
  - Bureau-Veritas BG – Certificate (Factory Inspection)
  - Bureau-Veritas CB – Certificate
  - VDE GS - Certificate
- **Color combination**

**Final digit of order number 1:**

  - RAL 7035, light-grey

**Plastic parts:**

  - RAL 7035, light-grey
- **Load rating**
  - Max. 250 V AC/16 A
- **Technical data**
  - Switching-threshold setting range
  - On: 20 - 200 mA (approx. 55 mA on delivery)
  - Off: 16 - 160 mA (approx. 44 mA on delivery)
  - Switching delay: 550 ms, ± 20 %
  - Electronic module: 2-pole switching
- **Scope of delivery**
  - 1 x socket strip
  - 2 x mounting brackets

DI-STRIP model	Input Values		Input Connector	Outputs				L	S	F1	F2	19"	Safe	Order no.
	Voltage	Current		INT. C13	INT. C19	D Schuko	F UTE							
	230V	16 A	Schuko CEE7/7			9		683		•				03.314.009.1
	230V	16 A	Schuko CEE7/7			5		483		•	•			03.314.005.1
	230V	16 A	Schuko CEE7/7				5	483		•	•	•		03.414.005.1

**Outputs**

C13	= IEC60320 C13	Type 13	= Switzerland, type 13	F2	= Design side panel (for installing at workstation)
C19	= IEC60320 C19	L	= Length in mm	19"	= Suitable for 19" installation
Schuko	= Protective contact plug DIN 49440	S	= Switch	safe	= Protected contacts
UTE	= France Standard CEE 7-V	F1	= Standard side pane (for rack mounting)		

## Knürr DI-STRIP® Combi

- Master-slave with overvoltage protection and mains filter
  - Automatic consumer switching
  - Combines Master-Slave and Safety Standard functions
  - Socket rotation: 45°
  - Feed cable: H05VV-F 3G 1.5 mm<sup>2</sup>
  - Molded right angle plug
- **Material / Finish**
    - Housing: closed sheet steel extrusion, zinc-passivated, powder-coated texture
    - Plastic parts: Vampamid 6 0024 VO (UL94), recyclable
    - Internal conductor: full-length busbars, brass
  - **Dimensions**
    - Distance between sockets: 50 mm
    - Height: 45.5 mm
    - Width of housing: 44.4 mm (= 1 U)
    - Feed cable: 2.5 m
  - **Approvals/certificates**
    - CE label in accordance with:
      - Low Voltage Directive 2014/35/EU
      - EMC Directive 2014/30/EU
      - RoHS Directive 2011/65/EG
    - Bureau-Veritas BG – Certificate (Factory Inspection)
    - Bureau-Veritas CB – Certificate

- **Color combination**
  - **Final digit of order number .1:**
    - RAL 7035, light-grey
  - **Plastic parts:**
    - RAL 7035, light-grey
- **Technical data**
  - With overvoltage protection and mains filter
  - Mains voltage: max. 250 VAC
  - Nominal current: 16 A
  - Requirement class: D (protection as per VDE 0675)
  - Surge current resistance (8/20 s wave): Max. 10 kA
  - Protection level (1.5/50 µs wave): < 1500 V (L + N against PE)
  - Master-slave function:
    - Switching-threshold setting range
      - On: 20 - 200 mA (approx. 55 mA on delivery)
      - Off: 16 - 160 mA (approx. 44 mA on delivery)
  - Switching delay: 550 ms ± 20 %
  - Electronic module: 2-pole switching
- **Scope of delivery**
  - 1 x socket strip
  - 2 x mounting brackets



with master-slave overvoltage protection and mains filter

DOS00325

DI-STRIP model	Input Values		Input Connector	Outputs						L	S	F1	F2	19"	Safe	Order no.
	Voltage	Current		INT. C13	INT. C19	D Schuko	F UTE	CH Type 13	CH Type 23							
	230V	16 A	Schuko CEE7/7			9				732		•				03.320.009.1
	230V	16 A	Schuko CEE7/7			5				533		•				03.320.005.1

## Knürr DI-STRIP® D

- Metering electrical values per phase
- Metering values are clearly displayed on a LCD display
- LCD display rotation in 90° steps
- Display contrast can be adjusted
- Unbalanced-load warning display with 3-phase model
- Three color LED shows status of PDU
- Automatic reduction of background light
- Metering values: Voltage, phase and neutral current, frequency, real power apparent power, energy, power factor
- Input cable:
  - H05VV -F 5 G 4 mm<sup>2</sup> (3 x 32 A types)
  - H05VV -F 3 G 4 mm<sup>2</sup> (1 x 32 A types)
  - H05VV -F 5G 2,5 mm<sup>2</sup> (3 x 16 A types)
  - H05VV -F 3G 1,5 mm<sup>2</sup> (1 x 16 A types)
  - Length: 2,5 m (16 A types); 3 m (32 A types)

### Approvals/certificates

- CE label in accordance with:
  - Low voltage directive 2014/35/EU
  - EMC-directive 2014/30/EU
  - RoHS-directive 2011/65/EG
- Bureau-Veritas BG – Certificate (Factory Inspection)
- Bureau-Veritas CB – Certificate

### Color

- Housing: RAL 7035 light grey
- lastic parts: RAL 7021 dark-grey

### Scope of delivery

- 1 socket strip with LC-Display
- 2 mounting brackets



DOS80002b

### Material/ Finish

- Housing: closed sheet steel extrusion, zinc-passivated, powder-coated texture
- Plastic parts: Vampamid 6 0024 VO (UL94), recyclable

DI-STRIP model	Input Values		Input Connector	Outputs				L	S	F1	F2	19"	Safe	Order no.
	Voltage	Current		INT. C13	INT. C19	D Schuko	F UTE							
	230V	16 A	Schuko CEE7/7			6		483						03.306.005.1
	230V	16 A	IEC60309 1ph/N/PE 6h			6		483						03.306.806.1
	230V	16 A	Schuko CEE7/7			14		933						03.306.014.1
	230V	16 A	IEC60309 1ph/N/PE 6h			14		933						03.306.814.1
	230V	16 A	Schuko CEE7/7	9				483						03.606.008.1
	230V	16 A	IEC60309 1ph/N/PE 6h	9				483						03.606.809.1
	230V	16 A	Schuko CEE7/7			6		483						03.406.006.1
	230 V	10 A	SEV 1011 T12				5	483						03.706.005.1
	230 V	16 A	SEV 1011 T23					483						03.706.006.1
	230 V	16 A	IEC60309 1ph/N/PE 6h	18	2			933						03.606.820.1
	230/400V	3 x 16 A	IEC60309 3ph/N/PE 6h			18		1283						03.306.818.1
	230/400V	3 x 16 A	IEC60309 3ph/N/PE 6h			6		683						03.306.806.1
	230/400V	3 x 16 A	IEC60309 3ph/N/PE 6h	27	6			1433						03.606.833.1
	230/400V	3 x 16 A	IEC60309 3ph/N/PE 6h		6			533						03.606.806.1

### Outputs

C13	= IEC60320 C13	Type 13	= Switzerland, type 13	F2	= Design side panel (for installing at workstation)
C19	= IEC60320 C19	L	= Length in mm	19"	= Suitable for 19" installation
Schuko	= Protective contact plug DIN 49440	S	= Switch	safe	= Protected contacts
UTE	= France Standard CEE 7-V	F1	= Standard side pane (for rack mounting)		

## Knürr DI-STRIP® I

- Metering electrical values per phase
- Metering values are clearly displayed on a LCD display
- LCD display rotation in 90° steps
- Display contrast can be adjusted
- Unbalanced-load warning display with 3-phase model
- Remote interface to get metering values and alarms
- Automatic reduction of background light
- Metering values: Voltage, phase and neutral current, frequency, real power apparent power, energy, power factor
- Input cable:
  - H05VV -F 5 G 4 mm<sup>2</sup> (3 x 32 A types)
  - H05VV -F 3 G 4 mm<sup>2</sup> (1 x 32 A types)
  - H05VV -F 5G 2,5 mm<sup>2</sup> (3 x 16 A types)
  - H05VV -F 3G 1,5 mm<sup>2</sup> (1 x 16 A types)
  - Length: 2,5 m (16 A types); 3 m (32 A types)

### Data interface:

- RJ45 LAN-Port (10/100) for connection to network (LAN)
- Remote Management: Onboard Web Interface, http/s, CLI, SNMPv1,2,3, SSH, Syslog, IPv4, IPv6, DNS

### Material / Finish

- Housing: closed sheet steel extrusion, zinc-passivated, powder-coated texture.
- Plastic parts: Vampamid 6 0024 VO (UL94), recyclable

### Approvals/certificates

- CE label in accordance with:
  - Low voltage directive 2014/35/EU
  - EMC-directive 2014/30/EU
  - RoHS-directive 2011/65/EG
- Bureau-Veritas BG – Certificate (Factory Inspection)
- Bureau-Veritas CB – Certificate

### Color

- Housing:**
  - RAL 7035 light grey
- Plastic parts:**
  - RAL 7021 dark-grey

### Scope of delivery

- 1 socket strip with LC-Display
- 2 mounting brackets



DOS80002

DI-STRIP model	Input Values		Input Connector	Outputs						L	S	F1	F2	19"	Safe	Order no.
	Voltage	Current		INT. C13	INT. C19	D Schuko	F UTE	CH Type 13	CH Type 23							
	230V	16 A	IEC60309 1ph/N/PE 6h	18	2					1033	•					03.607.820.1
	230V	16 A	Schuko CEE7/7			6				633	•					03.307.006.1
	230V	16 A	IEC60309 1ph/N/PE 6h			6				633	•					03.307.806.1
	230V	16 A	Schuko CEE7/7			12				933	•					03.307.012.1
	230V	16 A	IEC60309 1ph/N/PE 6h			12				933	•					03.307.812.1
	230/400V	3 x 16 A	IEC60309 3ph/N/PE 6h			18				1383	•					03.307.818.1
	230/400V	3 x 16 A	IEC60309 3ph/N/PE 6h			6				783	•					03.307.806.1
	230/400V	3 x 16 A	IEC60309 3ph/N/PE 6h	27	6					1533	•					03.607.833.1
	230/400V	3 x 16 A	IEC60309 3ph/N/PE 6h		6					633	•					03.607.806.1

## DI-STRIP® Euro Socket System, IEC 320

- Optionally with illuminated switch; 2-pole switching
  - 19" installation option
  - Euro socket combinations of IEC 320 C13 and C19 sockets
  - Feed cable:
    - H05VV-F 3G 1.5 mm<sup>2</sup> (16 A types)
    - H05VV-F 3G 4 mm<sup>2</sup> (32 A types)
  - Feed cable: 2.5 m
- **Material / Finish**
    - Housing: closed sheet steel extrusion, zinc-passivated, powder-coated texture
    - Plastic parts: Vampamid 6 0024 VO (UL94), recyclable
  - **Dimensions**
    - Height: 45.5 mm
    - Width of housing: 44.4 mm (= 1 U)
  - **Approvals/certificates**
    - CE label in accordance with:
      - Low Voltage Directive 2014/35/EU
      - EMC Directive 2014/30/EU
      - RoHS Directive 2011/65/EG
    - Bureau-Veritas BG - Certificate (Factory Inspection)
    - Bureau-Veritas CB - Certificate
    - CSA (only models with IEAC60320 input)
  - **Color**
    - **Enclosure:**
      - RAL 7035, light-grey
    - **Plastic parts:**
      - RAL 7021 dark-grey
  - **Scope of delivery**
    - 1 x socket strip
    - 2 x mounting brackets



with mains cable

DOS20062



Euro socket in connector field

DOS00458



Euro socket in side cover

DOS00460



with overload protection 10A

DOS20102

DI-STRIP model	Input Values		Input Connector	Outputs					L	S	F1	F2	19"	Safe	Order no.
	Voltage	Current		INT. C13	INT. C19	D Schuko	F UTE	CH Type 13							
With feed cable	230V	16 A	Schuko CEE7/7	6					333						03.600.006.1
	230V	16 A	Schuko CEE7/7	9					483						03.602.009.1
	230V	10 A	IEC60320 C13	12					483						03.600.312.1
	230V	16 A	IEC60320 C19	15	3				783						03.600.418.1
	230V	16 A	IEC60309 1ph/N/PE 6h	15	3				783						03.600.518.1
Euro input in plug panel	230V	10 A	IEC60320 C14 inlet	6					383						03.622.006.1
	230V	10 A	IEC60320 C14 inlet	9					483						03.622.009.1
Euro input on side panel	230V	10 A	IEC60320 C14 inlet	6					333						03.622.706.1
	230V	10 A	IEC60320 C14 inlet	9					433						03.622.709.1
	230V	10 A	IEC60320 C14 inlet	6					383						03.624.706.1
	230V	10 A	IEC60320 C14 inlet	9					483						03.624.709.1
GST18 input in side panel	230V	16 A	GST18	6					383						03.600.206.1
With overload protection 10 A	230V	10 A	Schuko CEE7/7	10					483						03.632.010.1

### Outputs

C13	= IEC60320 C13	Type 13	= Switzerland, type 13	F2	= Design side panel (for installing at workstation)
C19	= IEC60320 C19	L	= Length in mm	19"	= Suitable for 19" installation
Schuko	= Protective contact plug DIN 49440	S	= Switch	safe	= Protected contacts
UTE	= France Standard CEE 7-V	F1	= Standard side pane (for rack mounting)		

## 3-Phase in Rack with GST18

### Features

#### 1 Requirement

Constant energy increase requirements in the rack caused by high packing densities (e.g. 1 U Pizza servers, blade servers, etc.)

#### 2 Solution

3-phase distributor with GST18 plug system, e.g. 96 A with redundant feed

#### 3 4 Benefits

- Modularity
- Plug-in capability (no wiring required)
- Can be expanded
- Cascadable
- Easy implementation of redundancies/UPS-secured circuits
- Combination of DIN Schuko / IEC320 Euro systems
- Any installation position can be selected
- Good alternative to 3-phase DI-STRIP Triple Power



3

DOS20142



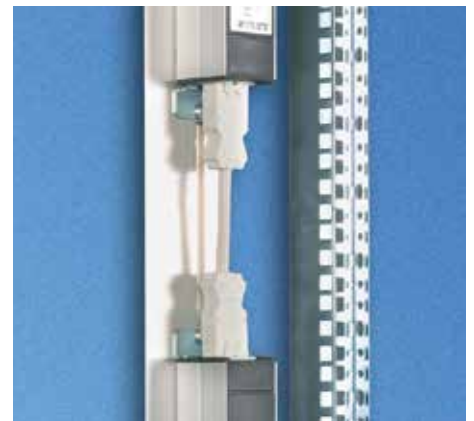
1

DOS20147



2

DOS20132



4

DOS20135

## Power Supply Cable, 3-Phase Accessories for GST 18 Plug System

- GST 18 socket for connecting GST18i5 distributor block with 3 phases
- 5-pole (L1, L2, L3, N, PE) 250/400 V ~
- Cable: H05VV-F 5G 2.5 mm<sup>2</sup>

- **Color**
  - Black

L	Order no.	UP
2.0 m	04.000.048.0	1 unit



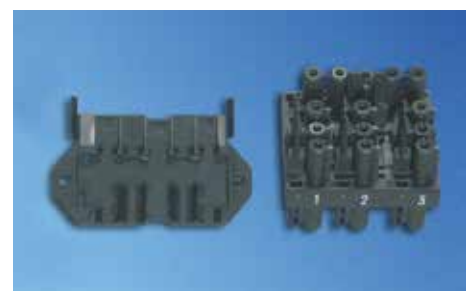
DOS20104

## GST18i5 Distributor Block, 3-Phase

- For individual connection at the customer
- Modular plug-in connection
- 3-phase distribution on various socket strips
- Including mounting panel

- **Color**
  - Black

Order no.	UP
04.000.038.9	1 unit



DOS20103

**Power Supply Cable, Single Phase**  
**Accessories for GST 18 Plug System**

- Mains plug CEE/VII: GST18 socket (Wieland)
- Cable: H05VV-F3G 1.5 mm<sup>2</sup>
- **Color**
  - White

L	Order no.	UP
2.0 m	04.000.040.0	1 unit
5.0 m	04.000.041.0	1 unit



DOS00467

**Connection Cable**  
**Accessories for GST 18 Plug System**

- GST 18 plug
- GST 18 socket
- Cable: H05VV-F3G 1.5 mm<sup>2</sup>
- **Color**
  - For color coding circuits (e.g. UPS)

L	Model	Order no.	UP
0.2 m	White	04.000.042.0	1 unit
0.2 m	Black	04.000.042.9	1 unit
0.5 m	White	04.000.037.0	1 unit
0.5 m	Black	04.000.037.9	1 unit
1.0 m	White	04.000.044.0	1 unit
1.0 m	Black	04.000.044.9	1 unit
5.0 m	White	04.000.045.0	1 unit



DOS00469



DOS20105

**GST18 Socket**

- With threaded connection for cross-section 1.5 – 2.5 mm<sup>2</sup> with cable strain relief
- For individual connection
- **Color**
  - White

Order no.	UP
04.000.046.0	1 unit



DOS00471

**GST18 Plug**

- With threaded connection for cross-section 1.5 – 2.5 mm<sup>2</sup> with cable strain relief
- For individual, further cabling
- **Color**
  - White

Order no.	UP
04.000.047.0	1 unit



DOS00470



### Mains Cable for Euro Socket Strip For DIN 49 440 and French/Belgian Standard

- Mains plug CEE/VII: Euro socket IEC 320
- Cable: H05VV-F 3G 1 mm<sup>2</sup>
- **Mains voltage**
  - 250 VAC
- **Nominal current**
  - 10 A

L	Order no.	UP
2.0 m	04.000.054.9	1 unit
6.0 m	04.000.053.9	1 unit



DOS00076

### Mains Cable for Euro Socket Strip For Swiss Standard

- Mains plug: Type 12 - Euro socket IEC 320
- Cable: H05VV-F 3G 1 mm<sup>2</sup>
- **Mains voltage**
  - 250 VAC
- **Nominal current**
  - 10 A

L	Order no.	UP
2.0 m	04.000.055.9	1 unit



DOS00077

### Mains Cable for Euro Socket Strip For British Standard

- Mains plug: Type BS 1363 - IEC320 Euro socket
- Cable: H05VV-F 3G 1 mm<sup>2</sup>
- **Mains voltage**
  - 250 VAC
- **Nominal current**
  - 10 A

L	Order no.	UP
2.0 m	04.000.056.9	1 unit



DOS00078

### Euro Connection Cable

- Mains plug: IEC 320
- Euro socket IEC 320
- Cable: H05VV-F 3G 1 mm<sup>2</sup>
- USA: SJT AWG18 with USA approval
- **Mains voltage**
  - 250 VAC
- **Nominal current**
  - 10 A

L	Model	Order no.	UP
0.9 m	EU	04.000.051.9	1 unit
0.9 m	USA	04.000.052.9	1 unit



DOS00519

#### Dimensions in mm:

L	= Length	n	= Number of sockets	U	= Standard rack unit	1 mm	= 0.03937 inch
S	= Switch	F1	= Standard side panel	UP	= Packaging unit	1 Kg	= 2.2046 pounds
		F2	= Design side panel	safe	= Protected contacts		
		19"	= ideal for 19" components				

Replace .x with the number of your color combination: .1 = RAL 7035, .6 = RAL 7035/RAL 2003

### SafetySleeve™ Cable Protection IEC C13 and IEC C19

- SafetySleeves protect the feed lines of the network equipment
- Compatible with all C19 cables and fit onto all PDUs

- **Material / Finish**
  - PVC, black

Model	Order no.	UP
C14 plug in C13 socket	03.910.213.9 001	50 unit
C20 plug in C19 socket	03.910.212.9 001	20 unit



DOS20493



DOS20494

### SafetyLock™ Connection Cable IEC C13 EU and IEC C19 EU

- Connection cables have integrated protection against accidental disconnection
- For straight locking from C14 to C13
- Locking cables are sold in sets of 9 units

- **Certification**
  - ENEC
  - VDE
  - CB scheme
  - RoHS compliant

• **Technical data**

- Standard: IEC 60320
- Load rating: 250 Vac/10 A
- Operating temperature: -25° C ~ +70° C
- Extraction force with locking function: up to 120 N
- Electric power cable: H05VV-F 3G 0.75 mm²
- Flame retardance: Plug: UL 94V-2 or better; cable: UL VW-1, IEC60332-1, Cat F2

- **Color**
  - Black/white
  - Other colors available upon request
- **Scope of delivery**
  - 9 x locking cables
- **How supplied**
  - In sets



DOS20495



DOS20496



DOS20497



DOS20500

L	Model	Order No. (C13, 9 unit)	Order No. (C19, 6 unit)	UP
0.5 m	Black	03.951.450.0,001	03.951.455.0,001	9 unit
1.0 m	Black	03.951.450.0,002	03.951.455.0,002	9 unit
1.5 m	Black	03.951.450.0,003	03.951.455.0,003	9 unit
0.5 m	White	03.951.451.0,001	03.951.456.0,001	9 unit
1.0 m	White	03.951.451.0,002	03.951.456.0,002	9 unit
1.5 m	White	03.951.451.0,003	03.951.456.0,003	9 unit



DOS20498



DOS20499

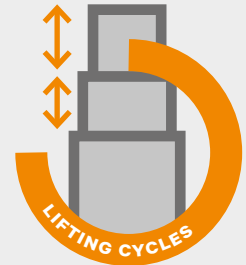
## Our Quality Promise:



Highest quality is guaranteed



10 years warranty on surfaces and mechanics



Up to 5 years warranty for lifting columns with up to 10,000 lifting cycles

## Ergonomically designed products and solutions from a single source

**Knürr Control Room Infrastructure** is worldwide known as competent and reliable partner for holistic control room solutions and mobile equipment carrier. The ergonomically designed products are internationally in use and convince in demanding 24h-Mission-Critical Control Room environment of multiple industrial sectors.

Learn more about Control Room Infrastructure solutions and services at [www.VertivCo.com](http://www.VertivCo.com) and [www.technical-furniture.com](http://www.technical-furniture.com).

### Vertiv Integrated Systems GmbH

Mariakirchener Straße 38  
94424 Arnstorf  
Germany  
T +49 8723 28 0  
F +49 8723 28 138  
[rniture.knuerr@vertivco.com](mailto:rniture.knuerr@vertivco.com)  
[www.VertivCo.com](http://www.VertivCo.com)  
[www.technical-furniture.com](http://www.technical-furniture.com)



**VertivCo.com** | George Curl Way, Southampton, SO18 2RY, VAT Number: GB188146827

© 2019 Vertiv Co. All rights reserved. Vertiv™, the Vertiv logo, Liebert® Trinergy™ Cube, Liebert HPC-M are trademarks or registered trademarks of Vertiv Co. All other names and logos referred to are trade names, trademarks or registered trademarks of their respective owners. While every precaution has been taken to ensure accuracy and completeness herein, Vertiv Co. assumes no responsibility, and disclaims all liability, for damages resulting from use of this information or for any errors or omissions. Specifications are subject to change without notice.

09.991.061.0.000001 • MKA4LOUKacc Rev.1-01/2019